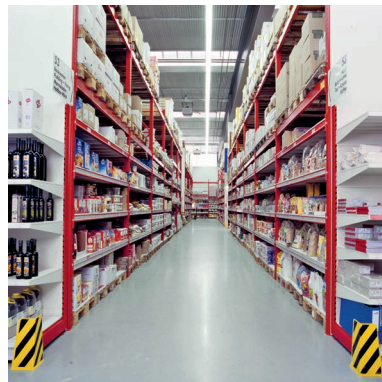
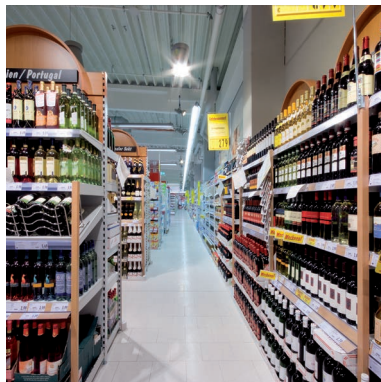
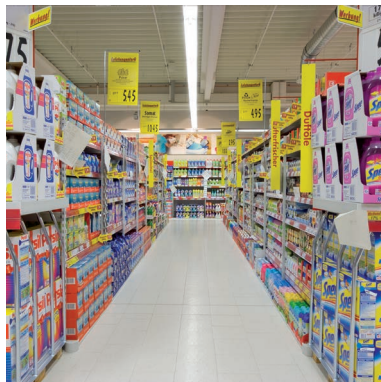


Tegometall

The Original for 50 years

Standard



**Manual Shopfitting
and Storage Systems**

List of abbreviations used

General abbreviations:

- P – Pair
- RL – Round holes
- SB – Self-service
- SL – Combined round and key holes
- V – Packaging unit

Dimensions and units:

- B – Width
- H – Height
- L – Length
- T – Depth
- Ø – Diameter
- cm – Centimetre
- kg – Kilogram
- m – Metre
- mm – Millimetre
- W – Watt



Tegometall International Sales GmbH
Industriestraße 7
CH - 8574 Lengwil-Oberhofen

Telephone +41 (0) 71 686 93 00
Fax +41 (0) 71 686 93 78

info@tegometall.com
www.tegometall.com

Please order from a Tegometall ServiceCenter near you.

Drawings and illustrations are without commitment. All rights reserved. All prices are recommended prices by the manufacturer. VAT and possible customs charges for specific countries, or import taxes are not included.

Our current General Terms of Sale, Delivery and Payment apply with the respective addition.

Note: our prices do not include assembly.

Colour differences are possible. We reserve the right to make technical changes without notice in the interests of continued development.

Our previous catalogues and components price lists are hereby cancelled.

Essential components of our product range are legally protected in Germany and abroad.

Copyright © 2012
Tegometall International Sales GmbH (hereafter called Tegometall)
All rights reserved.

All illustrations are the property of Tegometall. All illustrations and descriptions, including all trademarks and symbols, are protected by copyright and other industrial property right laws. Any reproduction, distribution or publication, including on the internet or any other use, is prohibited. The content may not be reproduced, passed on and/or used without the prior written consent of Tegometall.

Content – Shop Equipment Parts

Chapter	Page	List of key words	Page
i	6	A Angular shelf brackets for wooden and glass shelves	6, 14
1	9	B Back panel	6, 7
	9	Back panel clips	7, 28
	10	Back panel, plain.....	15
2	12	Back panel RL.....	8, 15
	12	Back panel safeguard.....	8, 16
	12	Back panel SL.....	8, 15
	12	Baseleg H 16 AS	6, 7, 8, 12
	12	Baseleg light-weight H 8	12
	12	Base shelf support	12
	12	Blister hook.....	6, 18
	12	Border strip H 1	7, 21
	13	Border strip H 5	7, 22
	13	Brackets 3 H extra heavy duty	6, 13
	14	C Close-meshed divider for grid shelf PBE	8, 26
3	15	and wire basket PKE	6, 14
	15	Connection bar	6, 14
	15	D Divider grid	7, 23
	15	Divider plain	21
	15	Divider sheet H 5.5 quadrant.....	7, 22
	16	Divider sheet H 10 quadrant.....	7, 22
	16	Divider sheet H 15 quadrant.....	7, 22
	16	Dividing strip.....	7, 21
	16	Double hinged hook	8, 17
	18	E End tap	8, 10, 11
	18	F Foot disk	8, 11
4	20	Front grid	7, 23
	20	G Glass divider H 5.5.....	7, 22
	20	Glass shelf.....	6
	20	Glass shelf (smooth)	20
	20	Glass supports for angular shelf brackets.....	6, 14
	21	Gondola cover strip	6, 16
	21	Grid shelf PBE	8, 26
	21	Grid shelf with front and rear groove.....	8, 26
	23	H Holder heavy type	6, 8, 18, 19
	23	Hook for blister packings	8, 17
	24	Hook-on bracket	6, 25
5	25	L Label jacket.....	8, 18
	25	Lift-out preventers for shelf.....	6, 7, 21
	25	Low front strip	6, 8, 21
6	26	P Pallet cover	25
	26	Perforated steel shelf.....	20
7	28	Plinth	6, 12
	28	Promo-table, complete H 80	24
i	29	R Rear support bar 50x20 mm.....	6, 25
	29	Reinforcement.....	16
	29	Retrofit flag.....	8, 17
	29	S Scanning ticket strip H 4	6, 23
	29	Scanning ticket strip H 4 PBE PKE	27
	29	Shelf brackets	7
	30	Shelf brackets 2 H	6, 13
	30	Shelf brackets 3 H	6, 8, 13
	30	Single hinged hook	8, 17
	30	Single hook	8, 16
	30	Slat-panel.....	6, 18
	30	Special hook for blister packings	8, 17
	30	Steel shelf	6, 7, 20
	30	Subdivider sheet H 5.5 quadrant	7, 23
	30	Subdivider sheet H 10 quadrant	23
	31	T Tie-bar	8, 10
	31	Top caps for uprights	6, 10
	31	U Upright.....	6, 7, 8
	31	Upright 60x30 mm.....	9
	31	Upright 80x30 mm.....	9
	31	Upright extension	8
	31	Upright extension 60x30 mm	10
	31	Upright extension 80x30 mm	10
	32	W Wall fixing brackets for uprights.....	8, 11
	32	Wall fixing brackets for uprights, adjustable.....	8, 11
	32	Wire basket PKE.....	8, 26
	32	Wooden back panel (external manufacturer)	7

Content – Storage Techniques

Chapter	Page	List of key words	Page
A	Stands	A	Anchor bolt.....49
	Stand for heavy load shelving, screwed type		34
B	Traverses	B	Bumper.....48
	Traverses for heavy load shelving		Bumper (corner).....48
C	Depth Connectors and Shelving Elements	D	Depth connector.....44
	Depth connectors		Depth connector recessed.....44, 45
	Shelving elements		Depth connector recessed with plug-in piece.....44
D	Accessories and Safeguard Parts		Depth connector with plug-in piece.....44
	Accessories for heavy load shelving	F	Fire protection shelving element ARP.....46
	Safeguard accessories for heavy load shelving		Fixing parts C 55x40, continuation.....36
i	Technical Information Storage Systems		Fixing parts CG 55x40, begin.....35
	System sizes system CG 55x40		Fixing parts CG 70x80, begin.....37
	System sizes system CG 70x80		Fixing parts CG 70x80, continuation.....37
	Stand sizes		Flexible fixation accessories.....48
	Chipboard sizes (depth connectors, recessed)	L	Load distribution shoe C 70x80, CG 70x80.....49
	Chipboard sizes (traverse ARPL)		Load distribution shoe CG 55x40.....48
	Number of elements and load capacity for ARP shelving elements and ARP fire protection shelving elements in conjunction with traverses ARPL 60x40, 80x40, 100x40 and 120x40	P	Push-through guard T 4.....48
	Composition of item numbers	R	Rigid fixation accessories.....48
	Colour and finish code	S	Screw anchor.....50
	Permissible Loads		Screwed stand CG 55x40.....34
	Conditions Traverses		Screwed stand CG 55x40 for bilateral integration.....34
	Conditions Stands		Screwed stand CG 70x80.....36
	Permissible load per pair of traverses in kg, system CG 55x40 and system CG 70x80		Screw-on section 80x22.5 mm.....35
	Permissible bay load for heavy-load shelving systems CG 55x40 and CG 70x80 without SB integration		Screw-on section 80x26.5 mm.....36, 37
	Permissible bay load for heavy-load shelving system CG 55x40 with SB integration		Sheet metal underlay.....47
	Permissible bay load for heavy-load shelving system CG 70x80 with SB integration		Shelving elements ARP.....45
	Permissible load per depth connector		Spacer bracket.....47
	Permissible load per shelving element ARP		Spacer bracket, recessed.....47
	Permissible load per fire protection shelving element ARP		Straddling bolt.....49
		T	Top cap for C 70x80 and CG 70x80.....47
			Top cap for CG 55x40.....47
			Traverse bottom ARPL 60x40.....40
			Traverse bottom ARPL 80x40.....41
			Traverse bottom ARPL 100x40.....42
			Traverse bottom ARPL 120x40.....43
			Traverse bottom ITL 80x40.....38
			Traverse bottom ITL 100x40.....39
			Traverse bottom ITL 120x40.....40
			Traverse centre ARPL 60x40.....40
			Traverse centre ARPL 80x40.....41
			Traverse centre ARPL 100x40.....42
			Traverse centre ARPL 120x40.....42
			Traverse centre ITL 80x40.....38
			Traverse centre ITL 100x40.....39
			Traverse centre ITL 120x40.....39
			Traverse centre / top ARPL 60x40 T6.....43
			Traverse top ARPL 60x40.....40
			Traverse top ARPL 80x40.....41
			Traverse top ARPL 100x40.....41
			Traverse top ARPL 120x40.....42
			Traverse top ITL 80x40.....38
			Traverse top ITL 100x40.....38
			Traverse top ITL 120x40.....39

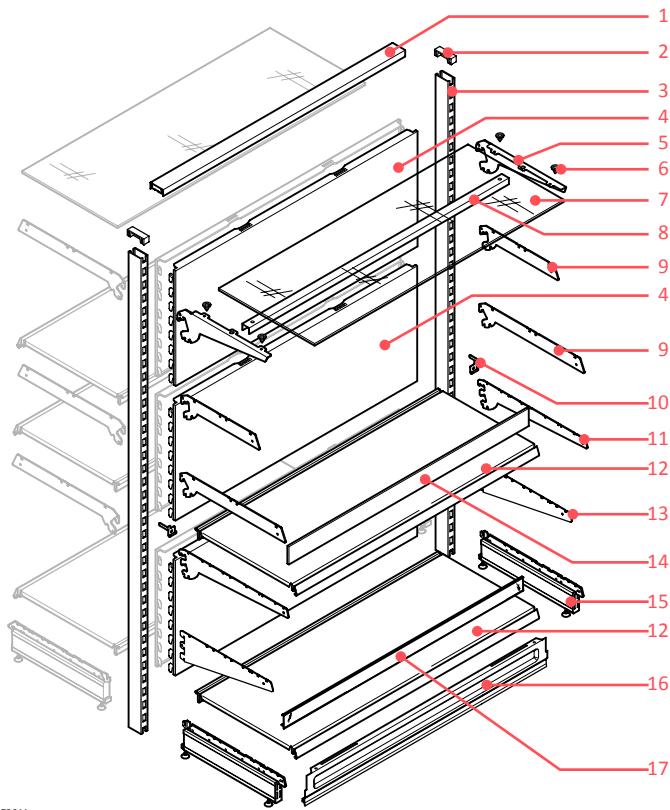
Shop Equipment Parts



Components Overview

The following diagrams use shelving and gondola examples to show possible uses of the products listed in this catalogue.

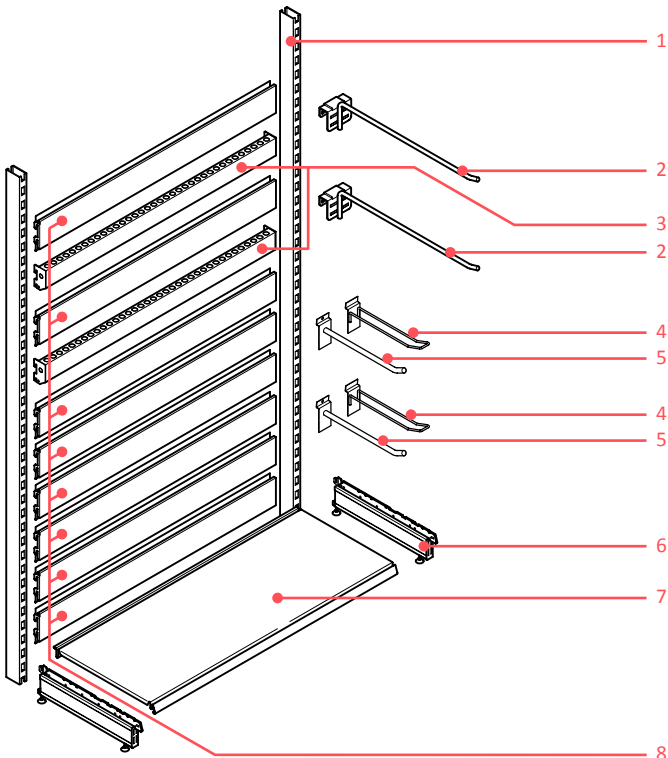
Gondola with shelves and back panels



Z3644

Product	Page
1 Gondola cover strip	18
2 Top caps for uprights	10
3 Upright	9
4 Back panel	16
5 Angular shelf brackets for wooden and glass shelves	15
6 Glass supports for angular shelf brackets	15
7 Glass shelf	20
8 Connection bar	15
9 Shelf brackets 2 H	14
10 Lift-out preventers for shelf	21
11 Shelf brackets 3 H	14
12 Steel shelf	20
13 Brackets 3 H extra heavy duty	14
14 Low front strip	21
15 Baseleg H 16 AS	13
16 Plinth	13
17 Scanning ticket strip H 4	23

Wall shelf with slat panels and rear support bars

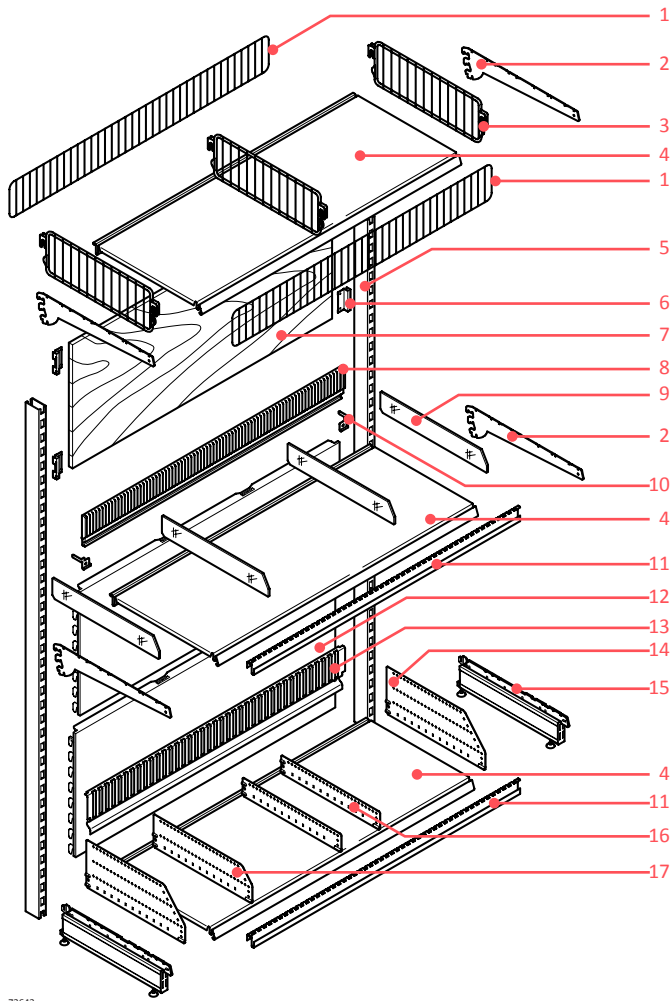


Z3642

Product	Page
1 Upright	9
2 Hook-on bracket	25
3 Rear support bar 50x20 mm	25
4 Holder heavy type	19
5 Blister hook	20
6 Baseleg H 16 AS	13
7 Steel shelf	20
8 Slat-panel	20



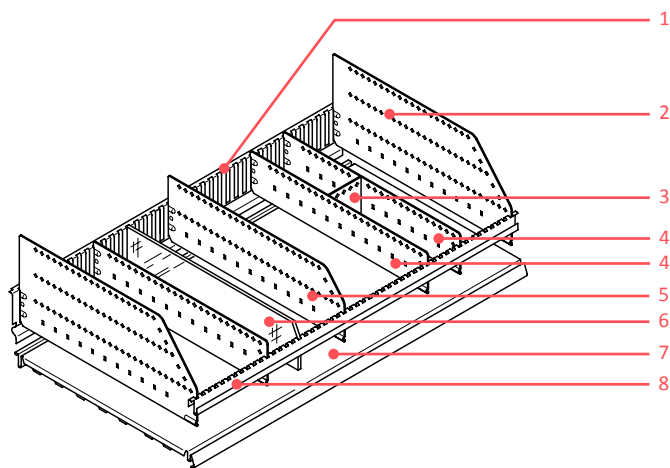
Wall shelf with subdivided shelves



Z3643

Product	Page
1 Front grid, front and back	23
2 Shelf brackets	14
3 Divider grid	23
4 Steel shelf	20
5 Upright	9
6 Back panel clips	28
7 Wooden back panel (external manufacturer)	
8 Dividing strip	21
9 Glass divider H 5.5	22
10 Lift-out preventers for shelf	21
11 Border strip H 1	21
12 Back panel	16
13 Border strip H 5	22
14 Divider sheet H 15 quadrant	22
15 Baseleg H 16 AS	13
16 Divider sheet H 5.5 quadrant	22
17 Divider sheet H 10 quadrant	22

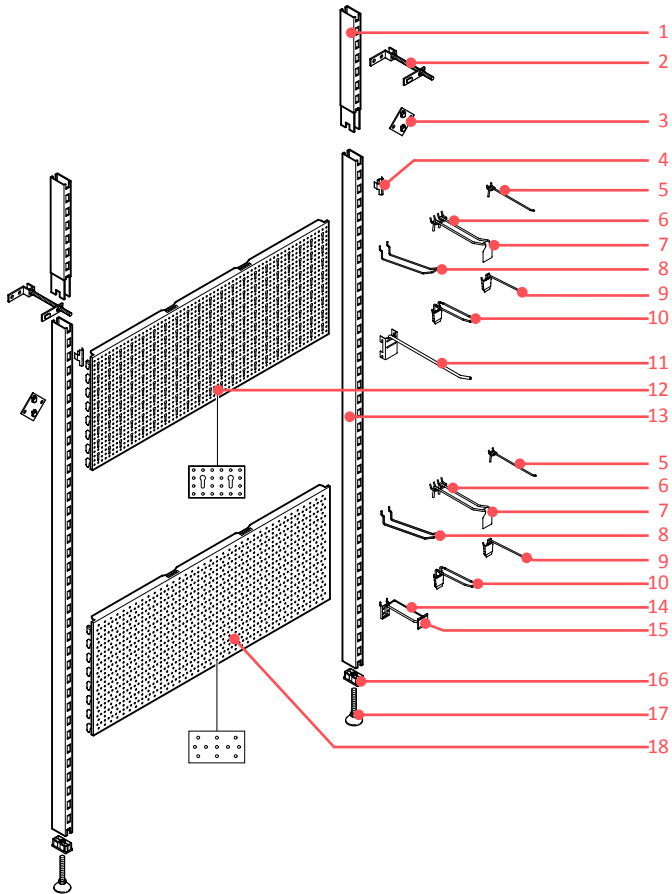
Subdivided shelf in detail



Z3788

Product	Page
1 Border strip H 5	22
2 Divider sheet H 15 quadrant	22
3 Subdivider sheet H 5.5 quadrant	23
4 Divider sheet H 5.5 quadrant	22
5 Divider sheet H 10 quadrant	22
6 Glass divider H 5.5	22
7 Steel shelf	20
8 Border strip H 1	21

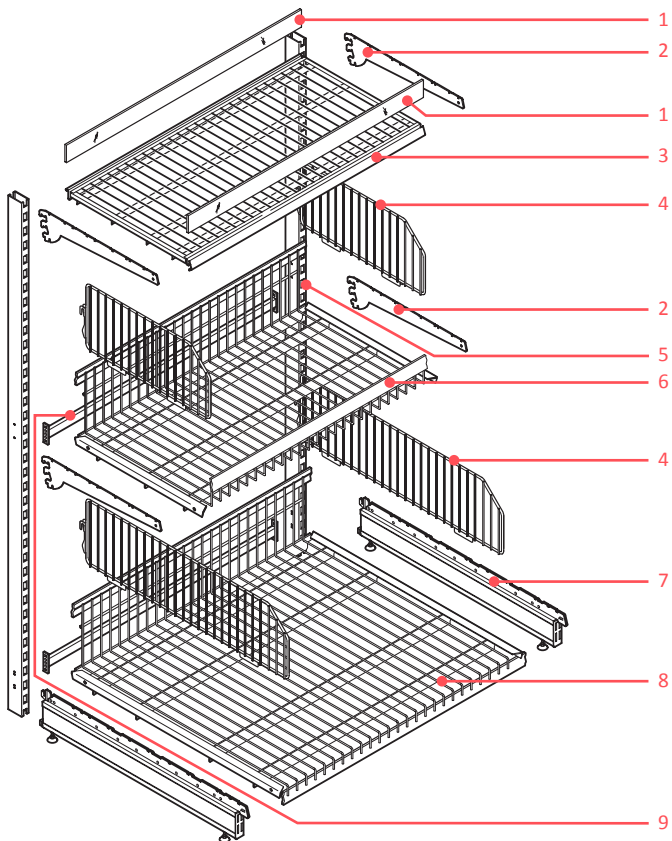
Wall shelf with back panel SL and back panel RL as well as various hooks



Z3641

Product	Page
1 Upright extension	10
2 Wall fixing brackets for uprights, adjustable	12
3 Wall fixing brackets for uprights	12
4 Back panel safeguard	17
5 Single hook	18
6 Special hook for blister packings	18
7 Retrofit flag	19
8 Hook for blister packings	18
9 Single hinged hook	18
10 Double hinged hook	19
11 Holder heavy type	19
12 Back panel SL	16
13 Upright	9
14 Holder heavy type	19
15 Label jacket	19
16 End tap	10
17 Foot disk	12
18 Back panel RL	16

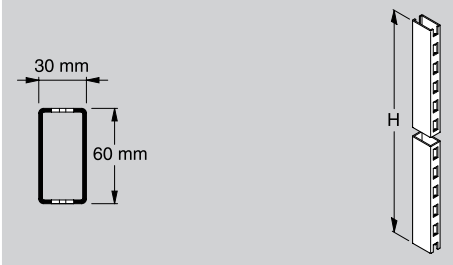
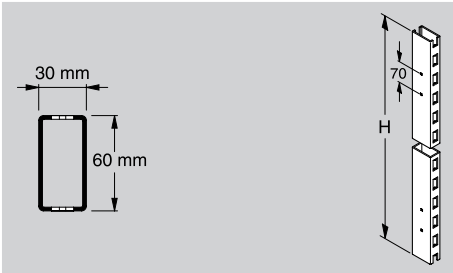
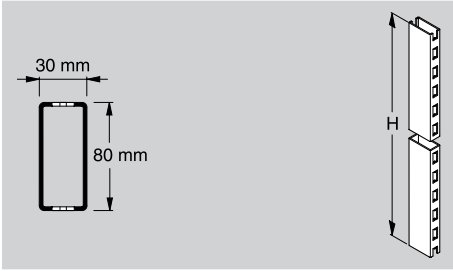
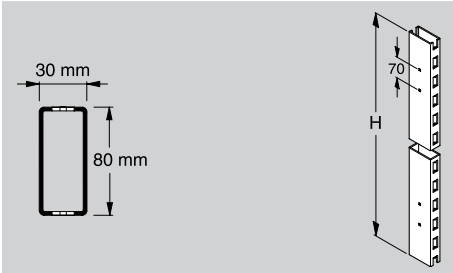
Wall shelf fitted with wire articles



Z3651

Product	Page
1 Low front strip	21
2 Shelf brackets 3 H	14
3 Grid shelf with front and rear groove	26
4 Close-meshed divider for grid shelf PBE and wire basket PKE	26
5 Upright	9
6 Wire basket PKE	26
7 Baseleg H 16 AS	13
8 Grid shelf PBE	26
9 Tie-bar	10

Uprights and Wall-mount Uprights

		Size cm	Item No.	Finish	Standard unit price €	Price per V €	Quantity per V
Uprights with H-slots							
Upright 60x30 mm H-slots on two sides, for shelving and gondolas 		H 110 H 120 H 140 H 160 H 180 H 200 H 210 H 220 H 240 H 260 H 280 H 300	111106 111701 111702 111703 111011 111012 111126 111013 111705 111706 111708 111707	1 1 1 1 1 1 1 1 1 1 1 1			
<small>Z0013 / Z0012</small>							
Upright 60x30 mm H-slots on two sides, for shelving and gondolas, with holes for tie-bars 		H 140 ¹⁾ H 200 ¹⁾ H 220 ²⁾	111712 112224 112228	1 1 1			
<small>Z0015 / Z0014</small> ¹⁾ 4 holes for 2 tie-bars ²⁾ 6 holes for 3 tie-bars							
Upright 80x30 mm H-slots on two sides, for shelving and gondolas 		H 140 H 160 H 180 H 200 H 210 H 220 H 240 H 260 H 280 H 300	111017 111018 111019 111020 111526 111021 111765 111766 111767 111768	1 1 1 1 1 1 1 1 1 1			
<small>Z0017 / Z0016</small>							
Upright 80x30 mm H-slots on two sides, with holes for tie-bars 		H 160 ¹⁾ H 180 ¹⁾ H 200 ¹⁾ H 220 ²⁾	112296 112300 112304 112308	1 1 1 1			
<small>Z0019 / Z0018</small> ¹⁾ 4 holes for 2 tie-bars ²⁾ 6 holes for 3 tie-bars							

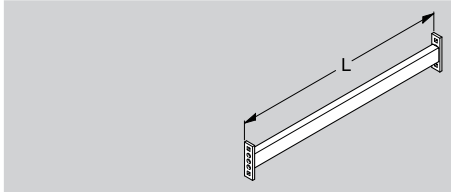
Uprights and Wall-mount Uprights

Accessories for uprights

Tie-bar

for shelving and gondolas without back panels and for mobile gondolas. With screws and nuts. Profile 30x20 mm, hole spacing 70 mm

Note: Not for diagonal tie-bars

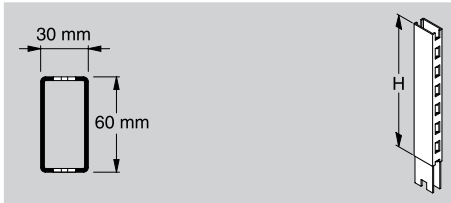


Z0032

Upright extension 60x30 mm

H-slots on two sides

Note: All extensions only for back panel height increase.
Not for suspension of shelves.

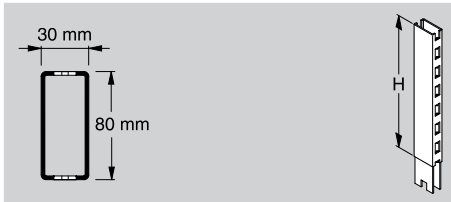


Z0013 / Z0033

Upright extension 80x30 mm

H-slots on two sides

Note: All extensions only for back panel height increase.
Not for suspension of shelves.



Z0019 / Z0033

Top caps for uprights (Pair)

plastic



- ¹⁾ upright 50x30 mm = T 5
²⁾ upright 60x30 mm = T 6
³⁾ upright 80x30 mm = T 8
⁴⁾ upright 110x30 mm = T 11

Z0038

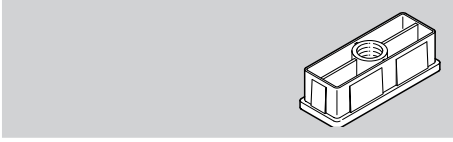
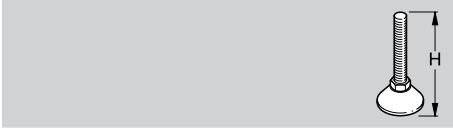
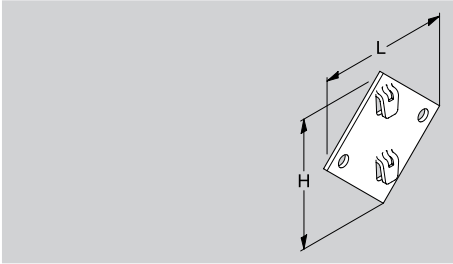
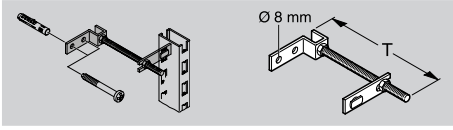
End tap

for upright 60x30 mm, internally threaded M 10, die-casting

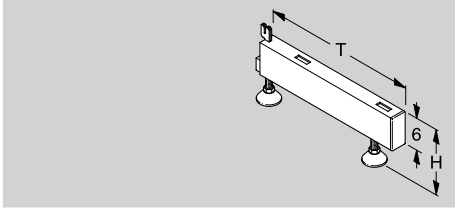
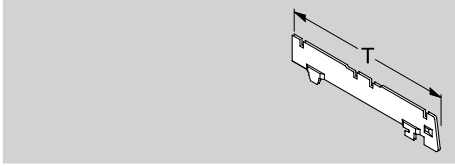
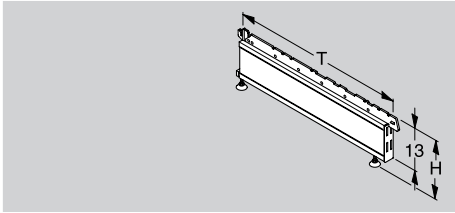
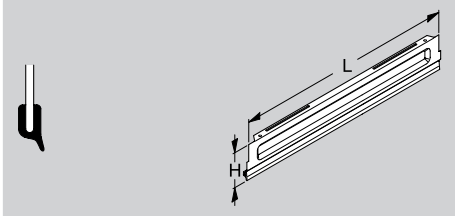


Z0044

Uprights and Wall-mount Uprights

	Size cm	Item No.	Finish	Standard unit price €	Price per V €	Quantity per V
End tap for upright 80x30 mm, internally threaded M 10, die-casting  <small>20045</small>		117866	45			50
Foot disk plastic, threaded M 10  <small>20046</small> ¹⁾ adjustment range 35 mm ²⁾ adjustment range 60 mm	H 7.0 ¹⁾ H 9.5 ²⁾	113349 113354	3 3			50 50
Wall fixing brackets for uprights Sheet steel, zinc-plated  <small>23584</small>	L 10 H 10	117799	51			50
Wall fixing brackets for uprights, adjustable Threaded rod with adjustable fittings, zinc-plated  <small>21881 / 20054</small>	T 30	113355	37			50

Baselegs and Brackets

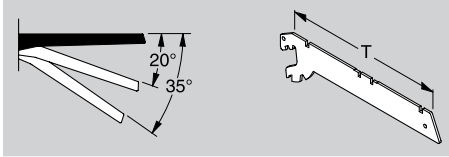
	Size cm	Item No.	Finish	Standard unit price	Price per V	Quantity per V
Baselegs						
Baseleg light-weight H 8 height adjustable with two foot disks. (Suitable for base shelf support) 	T 30 H 8	120481	1			
	T 37 H 8	120482	1			
	T 47 H 8	120484	1			
20055						
Base shelf support suitable for baseleg light-weight H 8 	T 30	120102	1			
	T 37	120104	1			
	T 47	120106	1			
20057						
Baseleg H 16 AS low version with 2 foot disks, height adjustable. For use with crash bar and plinth. 	T 37 H 16	122402	1			
	T 47 H 16	122404	1			
	T 57 H 16	122406	1			
	T 67 H 16	122408	1			
	T 77 H 16	122410	1			
20058						
Plinthes						
Plinth For shelves and gondolas. Sheet steel, bottom with rubber profile 	L 66.5 H 16	120940	1			
	L 100 H 16	120942	1			
	L 125 H 16	120944	1			
	L 133 H 16	120946	1			
	L 66.5 H 26	120832	1			
	L 100 H 26	120834	1			
	L 125 H 26	120836	1			
	L 133 H 26	120838	1			
20869 / 20060						

Baselegs and Brackets

Shelf brackets

Shelf brackets 2 H (Pair)

Sheet steel, with 2 hooks. For left and right side. Inclinalable (20°, 35°) downwards in uprights and wall-mount uprights



Z0075 / Z0074

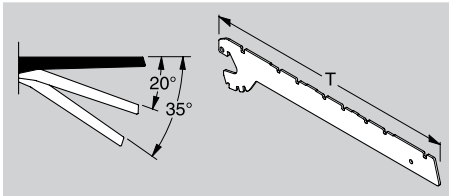
T 20
T 25
T 30

121210
121212
121214

2
2
2

Shelf brackets 2 H (Pair)

Sheet steel, with 2 hooks. For left and right side. Inclinalable: two positions down (20°, 35°) in uprights 80x30 and 110x30 mm, one position down (20°) in uprights 30x30, 50x30 and 60x30 mm and in wall-mount uprights



Z0075 / Z3776

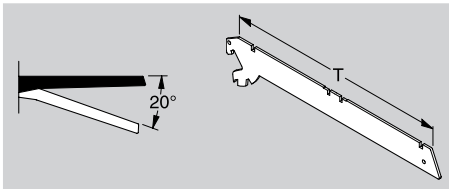
T 37

121603

2

Shelf brackets 2 H (Pair)

Sheet steel, with 2 hooks. For left and right side. Inclinalable (20°) downwards in uprights 60x30, 80x30 and 110x30 mm



Z0079 / Z0078

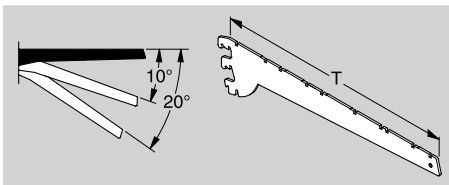
T 47

121604

2

Shelf brackets 3 H (Pair)

Sheet steel, with 3 hooks. For left and right side. Inclinalable (10°, 20°) in uprights 60x30, 80x30 and 110x30 mm



Z0083 / Z0082

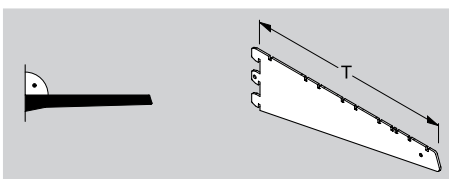
T 47
T 57

121605
121606

2
2

Brackets 3 H extra heavy duty (Pair)

Sheet steel, heavy duty version, **no slope settings**, to fit uprights 60x30, 80x30 and 110x30 mm. With 3 insert hooks



Z1860 / Z0084

T 37
T 47
T 57
T 67

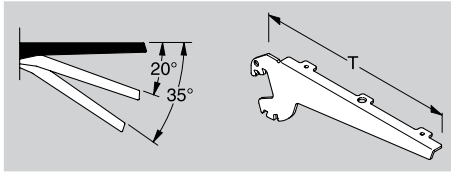
128009
128022
128023
121634

2
2
2
2

Baselegs and Brackets

Angular shelf brackets for wooden and glass shelves (Pair)

Sheet steel, left and right, 2 slope settings (20°, 35°) downwards in wall-mount uprights and uprights
Load capacity: 100 kg per pair



20089 / 20088

Accessories for shelf brackets

Glass supports for angular shelf brackets (100 pieces)

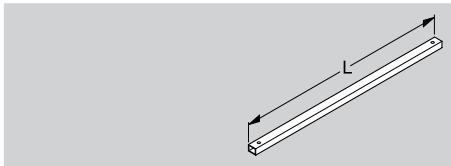
PVC plugs, in a bag



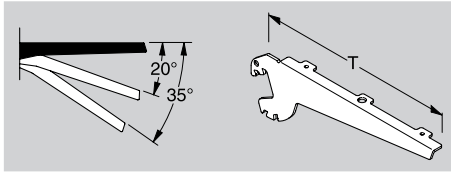

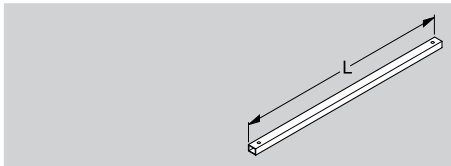
20091 / 21513

Connection bar

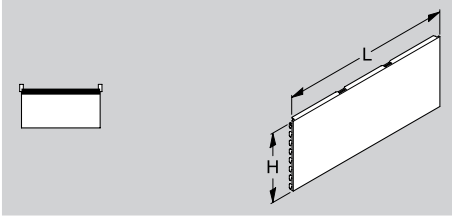
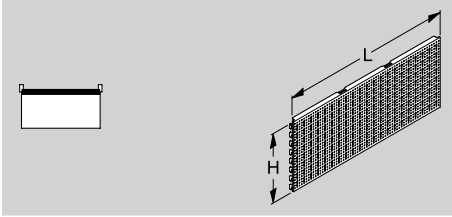
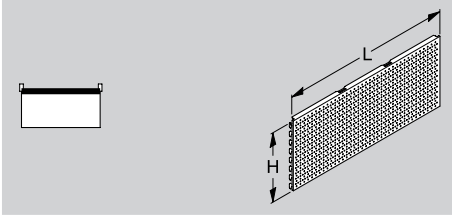
for angular bracket for glass shelf, with fixtures



20092

	Size cm	Item No.	Finish	Standard unit price €	Price per V €	Quantity per V
Angular shelf brackets for wooden and glass shelves (Pair) Sheet steel, left and right, 2 slope settings (20°, 35°) downwards in wall-mount uprights and uprights Load capacity: 100 kg per pair 	T 17	123241	2			
	T 22	121511	2			
	T 27	123242	2			
	T 37	123243	2			
	T 47	123244	2			
Accessories for shelf brackets						
Glass supports for angular shelf brackets (100 pieces) PVC plugs, in a bag 		121554	44			100
Connection bar for angular bracket for glass shelf, with fixtures 	L 66.5 L 100 L 125 L 133	122141 122143 122144 122149	2 2 2 2			

Back Panels and Hooks

		Size cm	Item No.	Finish	Standard unit price €	Price per V €	Quantity per V
Back panels							
Back panel, plain Sheet steel 	L 66.5	H 10	134322	2			
	L 66.5	H 20	134313	2			
	L 66.5	H 30	134314	2			
	L 66.5	H 40	134315	2			
	L 66.5	H 50	139402	2			
	L 100	H 10	134303	2			
	L 100	H 20	131193	2			
	L 100	H 30	134316	2			
	L 100	H 40	131200	2			
	L 100	H 50	139404	2			
	L 125	H 10	134304	2			
	L 125	H 20	131186	2			
	L 125	H 30	134317	2			
	L 125	H 40	131298	2			
	L 125	H 50	139406	2			
	L 133	H 10	134323	2			
	L 133	H 20	134305	2			
	L 133	H 30	134312	2			
	L 133	H 40	134306	2			
	L 133	H 50	139408	2			
Back panels SL							
Back panel SL Sheet steel with combined round and key holes (SL) Note: Under very high loads on the back panel L 125 and L 133 we recommend using the back panel reinforcement. 	L 66.5	H 40	134295	2			
	L 100	H 40	134293	2			
	L 125	H 40	131300	2			
	L 133	H 40	134300	2			
	Back panels RL						
Back panel RL Sheet steel, with round holes (RL) Note: Under very high loads on the back panel L 125 and L 133 we recommend using the back panel reinforcement. 	L 66.5	H 40	134296	2			
	L 100	H 40	134294	2			
	L 125	H 40	131808	2			
	L 133	H 40	131815	2			

Back Panels and Hooks

Supplements for back panels

Back panel safeguard

for securing back panels against lifting out

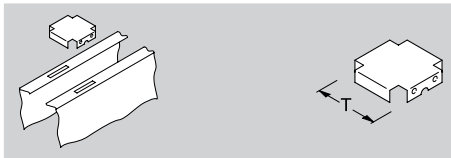
Note: This part must be used to secure the top-most back panels in hypermarket shelving (central upright) against gradually lifting out.



Z0619 / Z0618

Reinforcement (Pair)

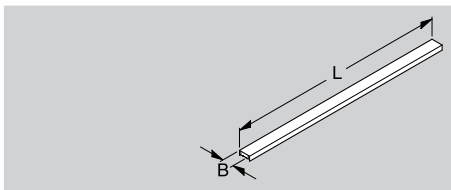
for back panel RL and SL



Z1514 / Z0126

Gondola cover strip

Sheet steel

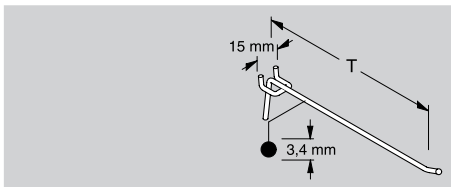


Z0127

Hooks and special holders

Single hook

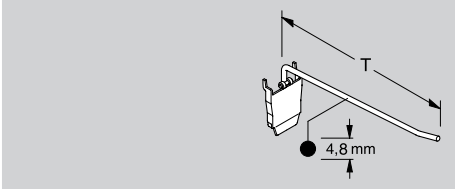
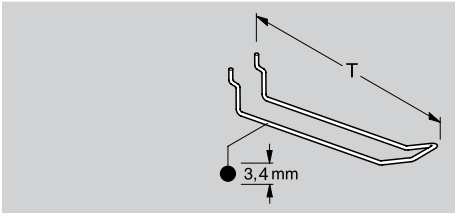
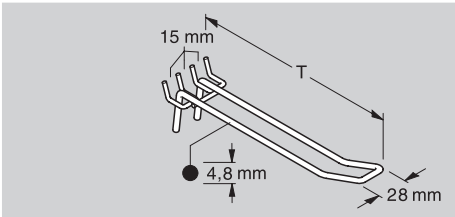
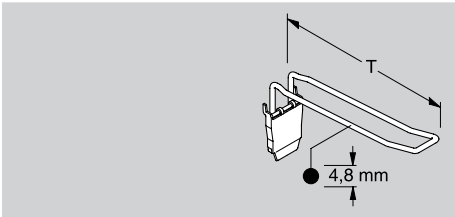
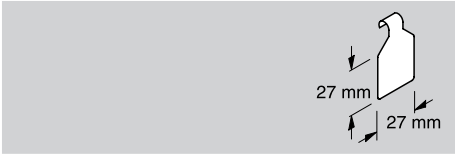
for back panel RL and SL, \varnothing 3.4 mm



Z0136

	Size cm	Item No.	Finish	Standard unit price	Price per V	Quantity per V
Back panel safeguard for securing back panels against lifting out Note: This part must be used to secure the top-most back panels in hypermarket shelving (central upright) against gradually lifting out.	H 4	107154	37			100
Reinforcement (Pair) for back panel RL and SL	T 6 T 8	133371 133372	36 36			10 10
Gondola cover strip Sheet steel	L 66.5 B 5 L 100 B 5 L 125 B 5 L 133 B 5 L 66.5 B 6 L 100 B 6 L 125 B 6 L 133 B 6 L 66.5 B 8 L 100 B 8 L 125 B 8 L 133 B 8 L 66.5 B 11 L 100 B 11 L 125 B 11 L 133 B 11	133122 133124 133126 133128 134949 131800 131128 131417 134950 131124 131129 131527 134951 134952 134953 131419	2 2 2 2 2 2 2 2 2 2 2 2 2 2 2 2 2			
Single hook for back panel RL and SL, \varnothing 3.4 mm	T 8 T 10 T 12 T 16 T 20	136580 136582 136584 136586 136588	37 37 37 37 37			50 50 50 50 50

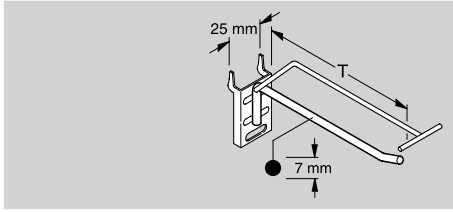
Back Panels and Hooks

	Size cm	Item No.	Finish	Standard unit price €	Price per V €	Quantity per V
Single hinged hook with hinged locking device, for back panel RL and SL, Ø 4.8 mm	T 20	136562	37			25
	T 30	136564	37			25
 <small>Z0137</small>						
Hook for blister packings for back panel RL and SL, Ø 3.4 mm	T 12	136510	37			50
	T 16	136512	37			50
	T 20	136516	37			50
 <small>Z0140</small>						
Special hook for blister packings for back panel RL and SL, Ø 4.8 mm	T 16	136542	37			25
	T 20	136544	37			25
 <small>Z0141</small>						
Double hinged hook with hinged locking device, for back panel RL and SL, Ø 4.8 mm	T 20	136452	37			25
	T 30	136454	37			25
 <small>Z0142</small>						
Retrofit flag for wire Ø 4 to 4.8 mm Price flag 27x27 mm		136990	44			100
 <small>Z0148</small>						

Back Panels and Hooks

Holder heavy type

with top label holder for label jacket, for back panels RL



Z0963

Label jacket

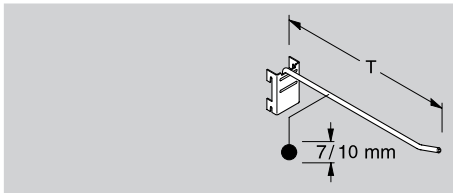
for plugging onto label holder, plastic



Z0966

Holder heavy type

for back panels SL

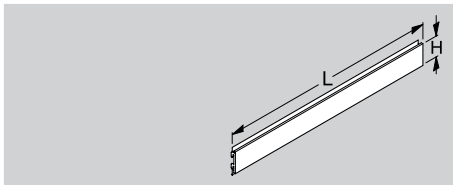


Z0155

Slatted back panel walls

Slat-panel

Sheet steel

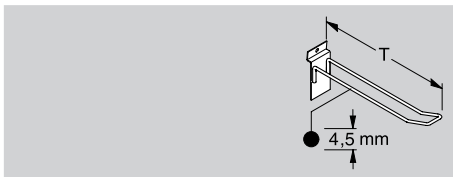


Z0167

Hooks for slatted back panel walls

Blister hook

for slatted panel walls

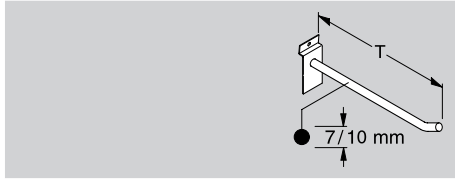


Z0210

	Size cm			Item No.	Finish	Standard unit price	Price per V	Quantity per V
						€	€	
Holder heavy type with top label holder for label jacket, for back panels RL	T	20	Ø 0.7	136220	37			
	T	30	Ø 0.7	136222	37			
	T	40	Ø 0.7	136224	37			
Label jacket for plugging onto label holder, plastic	L	7	H 4	136994	44			100
Holder heavy type for back panels SL	T	20	Ø 0.7	136632	37			20
	T	20	Ø 0.7	136632	88			
	T	30	Ø 0.7	136634	37			20
	T	30	Ø 0.7	136634	88			
	T	40	Ø 1	136636	37			20
	T	40	Ø 1	136636	88			
Slat-panel Sheet steel	L	66.5	H 5	137092	2			
	L	66.5	H 10	137002	2			
	L	66.5	H 20	137022	2			
	L	100	H 5	137094	2			
	L	100	H 10	137004	2			
	L	100	H 20	137024	2			
	L	125	H 5	137096	2			
	L	125	H 10	137006	2			
	L	125	H 20	137026	2			
	L	133	H 5	137098	2			
L	133	H 10	137008	2				
L	133	H 20	137028	2				
Blister hook for slatted panel walls	T	20		137910	37			
	T	20		137910	88			
	T	30		137912	37			
	T	30		137912	88			

Back Panels and Hooks

Holder heavy type
for slatted panel walls



20211

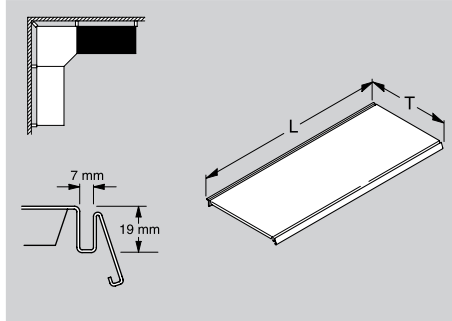
	Size cm			Item No.	Finish	Standard unit	Price per V	Quantity per V
		Ø				€	€	
T	20	Ø	0.7	137914	37			
T	20	Ø	0.7	137914	88			
T	30	Ø	0.7	137916	37			
T	30	Ø	0.7	137916	88			
T	40	Ø	1	137918	37			
T	40	Ø	1	137918	88			

Shelves and Accessories

Shelves

Steel shelf

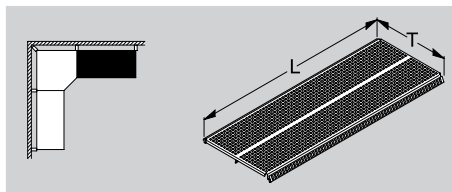
in one piece, front and back groove



Z2094 / 20217 / 20216

Perforated steel shelf

with front and back groove. Square perforations 5x5 mm



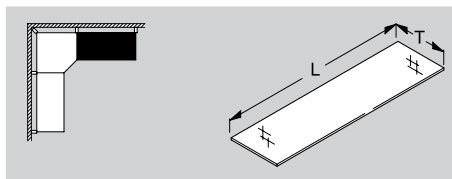
Z2094 / Z1276

Glass shelves

Glass shelf (smooth)

Glass, appr. 10 mm thick, to be used with angular brackets for wooden and glass shelves.


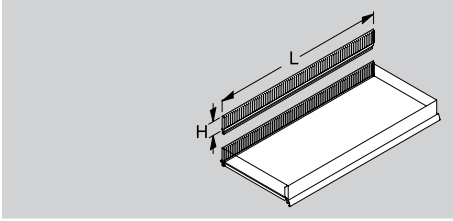
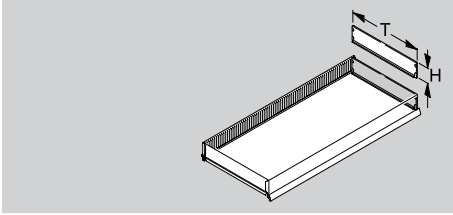
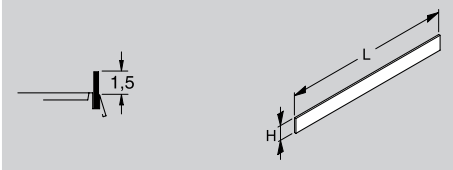
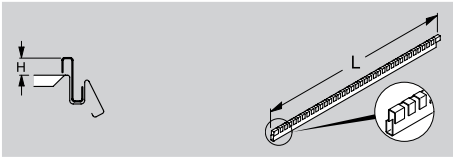
Note: With L 125 use connection rod without fail



Z2094 / 20231

	Size cm	Item No.	Finish	Standard unit price	Price per V	Quantity per V
L 66.5 T 20		145002	2			
L 66.5 T 25		145022	2			
L 66.5 T 30		145042	2			
L 66.5 T 37		144397	2			
L 66.5 T 47		144398	2			
L 66.5 T 57		144399	2			
L 66.5 T 67		144400	2			
L 66.5 T 77		144401	2			
L 100 T 20		145004	2			
L 100 T 25		145024	2			
L 100 T 30		145044	2			
L 100 T 37		141666	2			
L 100 T 47		141667	2			
L 100 T 57		141668	2			
L 100 T 67		141669	2			
L 100 T 77		141670	2			
L 125 T 20		145006	2			
L 125 T 25		145026	2			
L 125 T 30		145046	2			
L 125 T 37		141649	2			
L 125 T 47		141660	2			
L 125 T 57		141651	2			
L 125 T 67		141652	2			
L 125 T 77		141653	2			
L 133 T 30		145048	2			
L 133 T 37		144405	2			
L 133 T 47		144406	2			
L 133 T 57		144407	2			
L 133 T 67		144408	2			
L 133 T 77		144409	2			
L 66,5 T 20		348561	2			
L 66,5 T 25		348566	2			
L 66,5 T 30		348571	2			
L 66,5 T 37		348576	2			
L 66,5 T 47		348581	2			
L 100 T 20		348562	2			
L 100 T 25		348567	2			
L 100 T 30		348572	2			
L 100 T 37		348577	2			
L 100 T 47		348582	2			
L 125 T 20		348563	2			
L 125 T 25		348568	2			
L 125 T 30		348573	2			
L 125 T 37		348578	2			
L 125 T 47		348583	2			
L 66.5 T 20		146202	42			
L 66.5 T 25		146222	42			
L 66.5 T 30		146242	42			
L 66.5 T 37		143859	42			
L 66.5 T 47		143863	42			
L 100 T 20		146204	42			
L 100 T 25		146224	42			
L 100 T 30		146244	42			
L 100 T 37		143874	42			
L 100 T 47		143875	42			
L 125 T 20		146206	42			
L 125 T 25		146226	42			
L 125 T 30		146246	42			
L 125 T 37		143877	42			
L 125 T 47		143878	42			

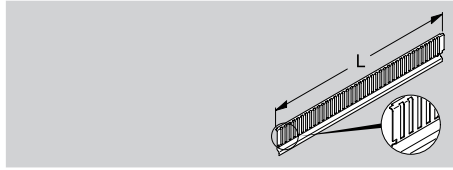
Shelves and Accessories

	Size cm	Item No.	Finish	Standard unit price €	Price per V €	Quantity per V
Accessories for shelves						
Lift-out preventers for shelf (Pair) for preventing the steel shelves on shelf brackets from lifting out  <small>23639</small>		140970	37			
Dividing strip Transparent plastic, for shelf groove front and back  <small>20238</small>	L 66.5 H 4.5 L 97 H 4.5 L 100 H 4.5 L 125 H 4.5 L 133 H 4.5 L 66.5 H 7.5 L 97 H 7.5 L 100 H 7.5 L 125 H 7.5 L 133 H 7.5	144410 143246 144411 144412 144413 144414 143247 144415 144416 144417	44 44 44 44 44 44 44 44 44 44 44			
Divider plain Transparent plastic  <small>20239</small>	T 20 H 4.5 T 25 H 4.5 T 30 H 4.5 T 37 H 4.5 T 47 H 4.5 T 57 H 4.5 T 20 H 7.5 T 25 H 7.5 T 30 H 7.5 T 37 H 7.5 T 47 H 7.5 T 57 H 7.5	145332 145334 145336 144419 144420 144421 145372 145374 145376 144423 144424 144425	44 44 44 44 44 44 44 44 44 44 44 44			
Low front strip plastic  <small>20244 / 20245</small>	L 66.5 H 3.5 L 100 H 3.5 L 125 H 3.5 L 133 H 3.5	144382 144384 144386 144388	44 44 44 44			
Border strip H 1 for the front groove of steel shelf. Sheet steel  <small>20871 / 20246</small>	L 66.5 H 1 L 100 H 1 L 125 H 1 L 133 H 1	143192 143194 143196 143197	2 2 2 2			

Shelves and Accessories

Border strip H 5

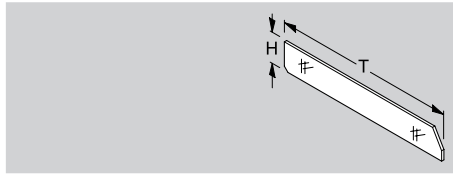
for the back groove of steel shelf. Sheet steel



Z0247

Glass divider H 5.5

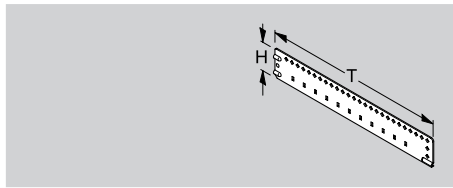
to fit between front and back border strips



Z0248

Divider sheet H 5.5 quadrant

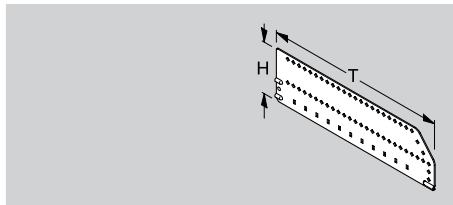
Sheet steel, to fit between front and back border strips



Z3208

Divider sheet H 10 quadrant

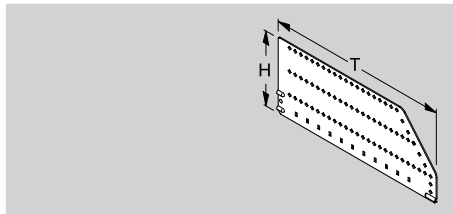
for border strips H1 and H5, sheet steel



Z3209

Divider sheet H 15 quadrant

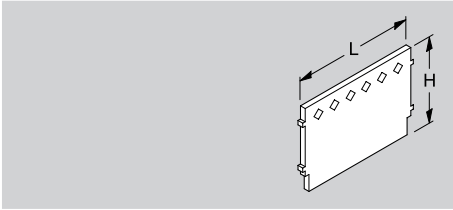
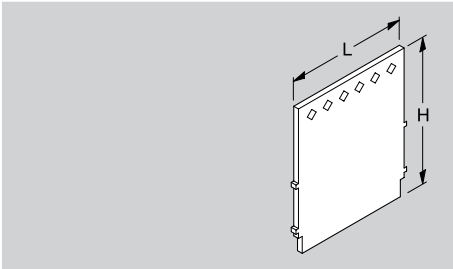
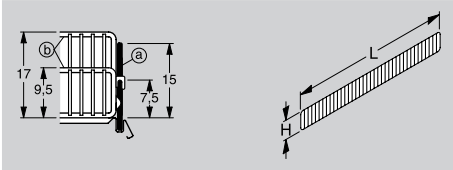
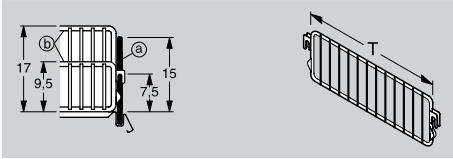
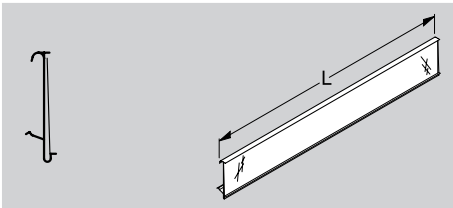
for border strips H1 and H5, sheet steel



Z3210

	Size cm	Item No.	Finish	Standard unit price €	Price per V €	Quantity per V
Border strip H 5 for the back groove of steel shelf. Sheet steel	L 66.5 H 5	143182	2			
	L 100 H 5	143184	2			
	L 125 H 5	143186	2			
	L 133 H 5	143188	2			
Glass divider H 5.5 to fit between front and back border strips	T 37 H 5.5	143306	42			
	T 47 H 5.5	143308	42			
	T 57 H 5.5	143310	42			
Divider sheet H 5.5 quadrant Sheet steel, to fit between front and back border strips	T 20 H 5.5	143740	2			
	T 25 H 5.5	143741	2			
	T 30 H 5.5	143742	2			
	T 37 H 5.5	143640	2			
	T 47 H 5.5	143641	2			
	T 57 H 5.5	143642	2			
	T 67 H 5.5	143643	2			
Divider sheet H 10 quadrant for border strips H1 and H5, sheet steel	T 20 H 10	143743	2			
	T 25 H 10	143744	2			
	T 30 H 10	143745	2			
	T 37 H 10	143710	2			
	T 47 H 10	143711	2			
	T 57 H 10	143712	2			
	T 67 H 10	143713	2			
Divider sheet H 15 quadrant for border strips H1 and H5, sheet steel	T 20 H 15	143746	2			
	T 25 H 15	143747	2			
	T 30 H 15	143748	2			
	T 37 H 15	143715	2			
	T 47 H 15	143716	2			
	T 57 H 15	143717	2			
	T 67 H 15	143718	2			

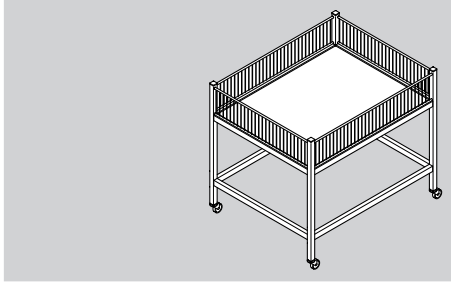
Shelves and Accessories

	Size cm	Item No.	Finish	Standard unit price €	Price per V €	Quantity per V
Subdivider sheet H 5.5 quadrant for divider sheets, sheet steel 	L 10.6 H 5.5	143608	2			
Z1734						
Subdivider sheet H 10 quadrant for divider sheets, sheet steel 	L 10.6 H 10	143609	2			
Z3209						
Front grid for shelf groove front and back a = front grille b = separating grille 	L 66.5 H 9.5 L 100 H 9.5 L 125 H 9.5 L 133 H 9.5 L 66.5 H 17 L 100 H 17 L 125 H 17 L 133 H 17	144661 144201 144202 144203 144662 144205 144206 144207	88 88 88 88 88 88 88 88			
Z0256 / Z0255						
Divider grid to be used as a side and separating grille for wire front grid a = front grille b = separating grille 	T 20 H 9.5 T 25 H 9.5 T 30 H 9.5 T 37 H 9.5 T 47 H 9.5 T 57 H 9.5 T 20 H 17 T 25 H 17 T 30 H 17 T 37 H 17 T 47 H 17 T 57 H 17	145502 145504 145506 144666 144667 144668 145522 145524 145526 144670 144671 144672	88 88 88 88 88 88 88 88 88 88 88 88			
Z0256 / Z0257						
Scanning ticket strips						
Scanning ticket strip H 4 Plastic, for clipping on shelves or on scanning frames 	L 66.5 H 4 L 100 H 4 L 125 H 4 L 133 H 4	144842 144844 144846 144848	4 4 4 4			10 10 10 10
Z0268 / Z0267						

Shelves and Accessories

Promo-table

Promo-table, complete H 80



¹⁾ for promo-table with 1 frame, not mobile

²⁾ for promo-table with 2 frame, not mobile

³⁾ for promo-table with 2 frames, mobile

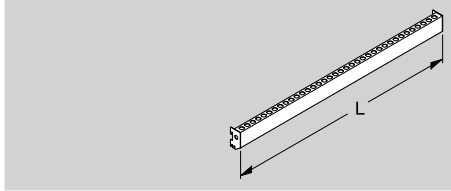
Size cm	Item No.	Finish	Standard unit price €	Price per V €	Quantity per V
L 100 ¹⁾ B 80	147200	2			
L 100 ²⁾ B 80	147220	2			
L 100 ³⁾ B 80	147230	2			
L 120 ¹⁾ B 80	147204	2			
L 120 ²⁾ B 80	177224	2			
L 120 ³⁾ B 80	147234	2			

20276

Special Parts

Perforated rear support bar 50x20 mm

Rear support bar 50x20 mm
perforated. Steel tube profile 50x20 mm

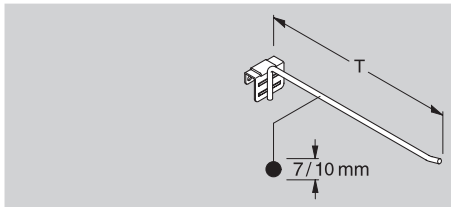


20336

Size cm	Item No.	Finish	Standard unit price €	Price per V €	Quantity per V
L 66,5	154763	2			
L 100	154764	2			
L 125	154765	2			
L 133	154766	2			

Holders for perforated rear support bar

Hook-on bracket
suitable for perforated rear support bar 50x20 mm and support frame

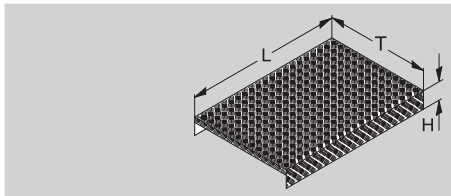


23700

T 20	Ø 0,7	151889	37		50
T 20	Ø 0,7	151889	88		
T 25	Ø 0,7	151890	37		50
T 25	Ø 0,7	151890	88		
T 30	Ø 0,7	151891	37		50
T 30	Ø 0,7	151891	88		
T 40	Ø 1	151439	37		50
T 40	Ø 1	151439	88		

Pallet cover

Pallet cover
Aluminium chequer plate



23663

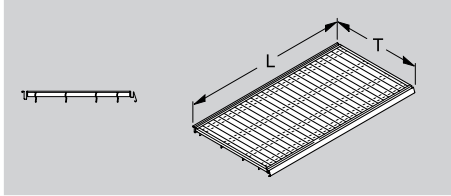
L 120	B 80	H 14	350827	99	
-------	------	------	---------------	----	--

Wire Articles

Wire articles and accessories

Grid shelf with front and rear groove

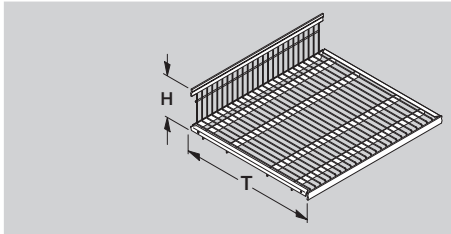
front and rear groove made of sheet steel, mesh size approx. 11 mm



Z3472 / Z3372

Grid shelf PBE

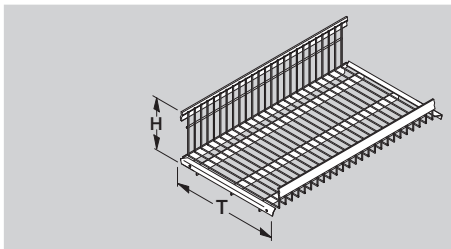
can be used with folded up edge H 15 at rear or front.
Mesh size approx. 11 mm



Z3649

Wire basket PKE

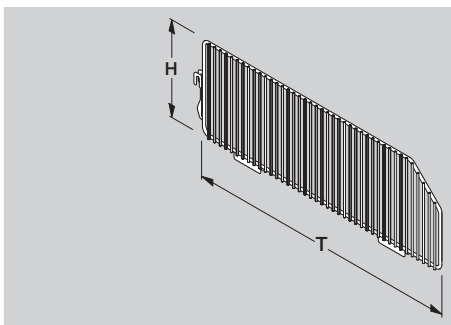
can be used with folded up edge H 15 and H 10 at rear or front.
Mesh size approx. 11 mm



Z3650

Close-meshed divider for grid shelf PBE and wire basket PKE

Mesh size approx. 11 mm

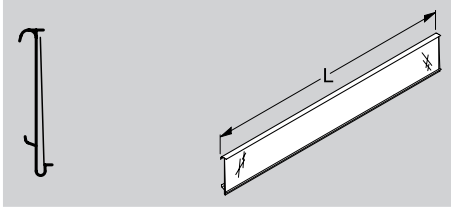


Z3648

Size cm	Item No.	Finish	Standard unit price €	Price per V €	Quantity per V
L 66.5 T 37	160941	2			
L 66.5 T 47	160946	2			
L 66.5 T 57	160951	2			
L 100 T 37	160942	2			
L 100 T 47	160947	2			
L 100 T 57	160952	2			
L 125 T 37	160943	2			
L 125 T 47	160948	2			
L 125 T 57	160953	2			
L 133 T 37	160944	2			
L 133 T 47	160949	2			
L 133 T 57	160954	2			
L 66.5 T 37 H 15	160012	2			
L 66.5 T 47 H 15	160022	2			
L 66.5 T 57 H 15	160032	2			
L 100 T 37 H 15	160014	2			
L 100 T 47 H 15	160024	2			
L 100 T 57 H 15	160034	2			
L 125 T 37 H 15	160016	2			
L 125 T 47 H 15	160026	2			
L 125 T 57 H 15	160036	2			
L 66.5 T 37 H 15	160062	2			
L 66.5 T 47 H 15	160072	2			
L 66.5 T 57 H 15	160082	2			
L 100 T 37 H 15	160064	2			
L 100 T 47 H 15	160074	2			
L 100 T 57 H 15	160084	2			
L 125 T 37 H 15	160066	2			
L 125 T 47 H 15	160076	2			
L 125 T 57 H 15	160086	2			
T 37 H 15	160740	2			
T 47 H 15	160742	2			
T 57 H 15	160744	2			

Wire Articles

Scanning ticket strip H 4 PBE PKE
 plastic, for attaching to PBE grid shelf and PKE wire basket



Z3837 / Z3838

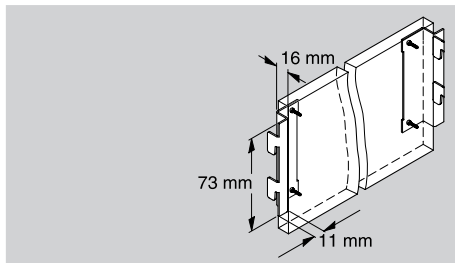
Size cm	Item No.	Finish	Standard unit price	Price per V	Quantity per V
			€	€	
L 66.5 H 4	144061	4			
L 100 H 4	144062	4			
L 125 H 4	144063	4			

Show Cases and Wooden Parts

Accessories for wooden parts

Back panel clips (Pair)

Sheet steel, for hanging wooden back panels



20533

Size cm	Item No.	Finish	Standard unit price ₹	Price per V ₹	Quantity per V
	154340	2			50



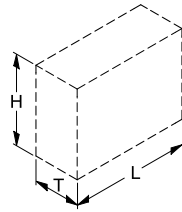
Technical Information Shopfitting Systems

Dimensions

The specified dimensions are generally nominal dimensions.

Key to abbreviations

- H = Height
- L = Length
- T = Depth
- B = Width
- ∅ = Diameter

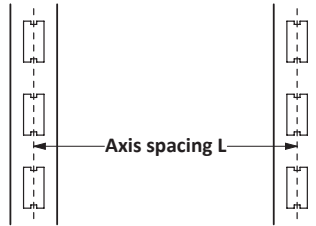


Z1683

Nominal dimensions – Axis spacing

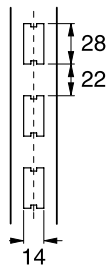
The precise axis spacing is:

- with L 66.5 cm = 66.65 cm
- with L 100 cm = 100 cm
- with L 125 cm = 125 cm
- with L 133 cm = 133.3 cm



Z1410

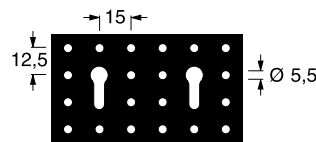
H-slots



Z1688

SL

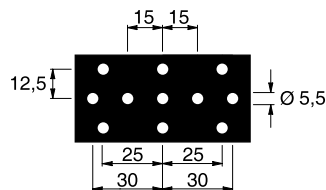
Combined round and key holes



Z1684

RL

Round holes



Z1685

Composition of item numbers

Example:

Foot disc, H 7, white = 113349 01

113349 01 = Item group

113349 01 = Item basic number

113349 01 = Finish code

Note:

If the order value is less than € 375.-, we add a surcharge equal to 10% of the order value.

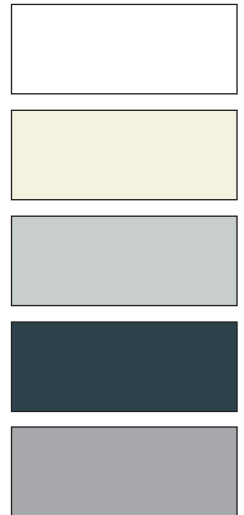
Colour and finish code

Standard colour group code

- 1 Standard colours 24, 66, 71, 88
- 2 Standard colours 24, 66, 88
- 3 Standard colours 01, 66, 71, 88

Colour code

- 01 plastic white
- 24 jura white, similar to RAL 9001
- 66 light grey, RAL 7035
- 71 slate grey, RAL 7015
- 88 white aluminium, RAL 9006



The colour samples show only the colour shade, not the quality of the surface of the respective product!

Slight colour differences are possible for technical reasons. These are not deemed to be defects. Our previous colour charts are hereby invalid.

Finish code

- 36 natural (wooden parts)
- 37 galvanized
- 41 hot dip galvanized
- 42 float glass, clear, smooth
- 44 plastic
- 45 die cast
- 57 aluminium
- 99 clear coat

Special colours are available on request. Further information about our DecoCoat coating system is available in the DecoCoat brochure, which you can order, free of charge, on our homepage www.tegometall.com.

Special colours

For each special colour there will be a surcharge of € 133.-.


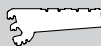




Permissible Loads

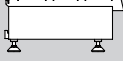

Permissible loads for wall-mounted shelves and gondolas

- Uniformly distributed loading over the whole shelf is required.
- The permissible stand loads can be increased by wall fixings, if the means of fixing and wall are able to safely absorb and transfer the resulting additional loads; this must be checked on site.
- Equipping the shelf stands with shelf load reducing upwards.
- Ensure that all push-on connections are properly fitted.
- The shelf must not be subjected to impact loads.
- If the shelf's maximum loading capacity is utilised, the top back panels must be secured against uplift using the back panel safeguard 107154.
- If no load information is available or special load requirements exist, please contact our technical department.
- If both sides are loaded (gondola) the same loads can be applied on the right and left as for wall-mounted shelves.
- The loading of the baseleg shelves is given in Table 2.
- The uprights of wall-mounted shelves must be fixed with wall fixings from a height of 220 cm.

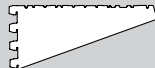
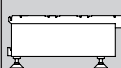

Permissible load for shelves on brackets

		Permissible load per shelf in kg (Loading information for brackets is only valid in conjunction with rectangular uprights)														
Support type		Bracket 2 H  Z1596				Bracket 3 H  Z1597		Bracket 3 H extra heavy duty  Z1426				Bracket 4 H extra heavy duty  Z1425				
Shelf depth in cm		T 25	T 30	T 37	T 47	T 47	T 57	T 37	T 47	T 57	T 67	T 37	T 47	T 57	T 67	T 77
Axis spacing in cm	66.5	120	110	100	90	170	150	230	230	180	160	230	230	255	230	200
	100	120	110	100	90	170	150	200	230	180	160	200	290	255	230	200
	125	120	110	100	90	170	150	155	230	180	160	155	260	255	230	200
	133	120	110	100	90	170	150	140	230	180	160	140	230	250	230	200

Permissible load for shelves on baselegs




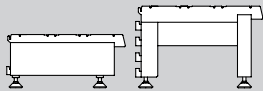
		Permissible load per shelf in kg (Loading information for brackets is only valid in conjunction with rectangular uprights)				
Support type		Baselegs H 16 or H 26  Z1600  Z1601				
Shelf depth in cm		T 37	T 47	T 57	T 67	T 77
Axis spacing in cm	66.5	230	260	360	360	350
	100	200	290	310	350	290
	125	155	260	270	310	270
	133	140	230	250	300	240

Permissible load of the shelves – maximum loading capacity – on extra heavy brackets with 4 hooks or baselegs

		Permissible load information (in kg) of the shelves – maximum loading capacity – on extra heavy brackets with 4 hooks or baselegs					
Support type		Brackets 4 H extra heavy duty  Z1425			Baselegs H 16 or H 26  Z1600  Z1601		
Shelf depth in cm		T 57	T 67	T 77	T 57	T 67	T 77
Axis spacing in cm	100	255	230	200	500	540	500
	125	255	230	200	400	470	470
	133	255	230	200	380	400	450



Permissible load of grid shelves on brackets or baselegs

Permissible load per grid shelf in kg (Loading information for brackets and baselegs is only valid in conjunction with rectangular uprights)													
Support type		Bracket 2 H		Bracket 3 H		Bracket 3 H heavy duty				Baselegs H 16 or H 26			
		 Z1596		 Z1597		 Z1426				 Z1600 Z1601			
Shelf depth in cm		T 37	T 47	T 47	T 57	T 37	T 47	T 57	T 67	T 37	T 47	T 57	T 67
Axis spacing in cm	66.5	100	90	170	150	200	230	180	160	200	230	250	450
	100	100	90	170	150	130	180	180	160	130	180	180	350
	125	100	90	170	150	130	170	180	160	130	170	180	250
	133	100	90	160	150	130	160	180	160	130	160	180	200

Permissible load for baseleg H 8 for wall-mounted shelf stands and gondolas

(perm. total load of all shelves not including baseleg shelves in kg)

Calculation of the average depth:

The average depth is calculated from the sum of the depths of the shelves – not including the baseleg shelf – divided by the number of shelves – not including the baseleg shelf.

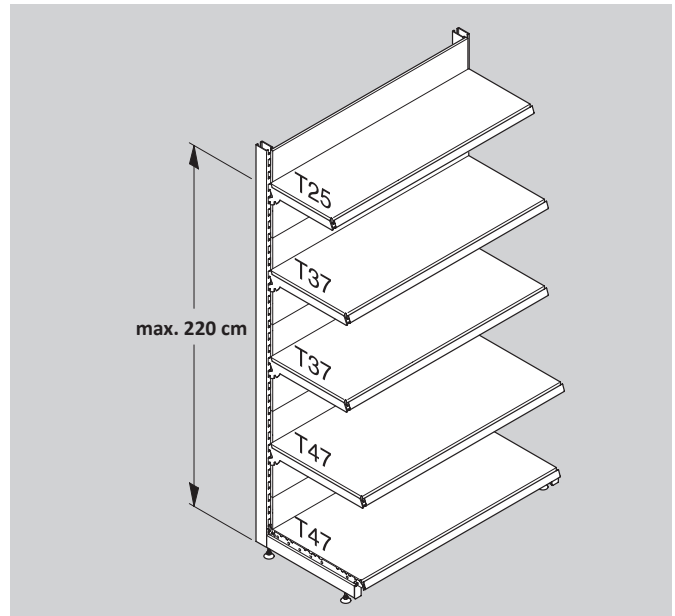
Example:

Sum of all shelves not including baseleg shelf: 25 + 37 + 37 + 47 = 146

Number of shelves not including baseleg shelf: 4

Average depth: 146 / 4 = 36.5

Upright	Permissible total load [kg] for an average depth D	
	T 30 / T 37 Baseleg depth of at least 47 cm	T 47 Baseleg depth of at least 57 cm
60x30	230	180
80x30	250	200
110x30	250	200



Z3665

Wall-mounted shelf stands with an average depth D (T) of 37 and a baseleg shelf T 47.



Permissible load for baseleg H 16 and H 26 for wall-mounted shelf stands and gondolas

(perm. total load of all shelves not including baseleg shelves in kg)

Calculation of the average depth:

The average depth is calculated from the sum of the depths of the shelves – not including the baseleg shelf – divided by the number of shelves – not including the baseleg shelf.

Example:

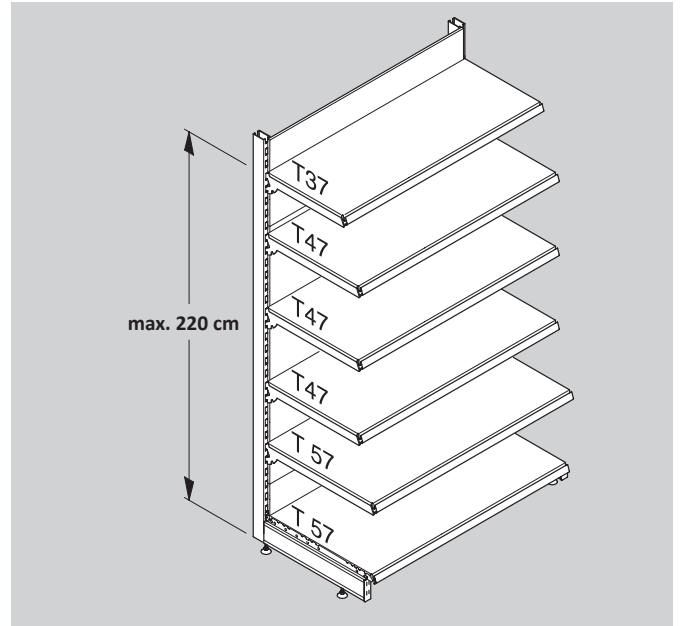
Sum of all shelves not including baseleg shelf:

$$37 + 47 + 47 + 47 + 57 = 235$$

Number of shelves not including baseleg shelf: 5

$$\text{Average depth: } 235 / 5 = 47$$

Upright	Permissible total load [kg] for an average depth D				
	T 37 Baseleg depth of at least 47 cm	T 47 Baseleg depth of at least 57 cm	T 57 Baseleg depth of at least 67 cm	T 67 Baseleg depth of at least 77 cm	T 77 Baseleg depth of at least 77 cm
60x30	250	200	150	–	–
80x30	400	350	300	250	200
110x30	600	500	450	400	400



Z3666

Wall-mounted shelf stands with an average depth D (T) of 47 and a baseleg shelf T 57.

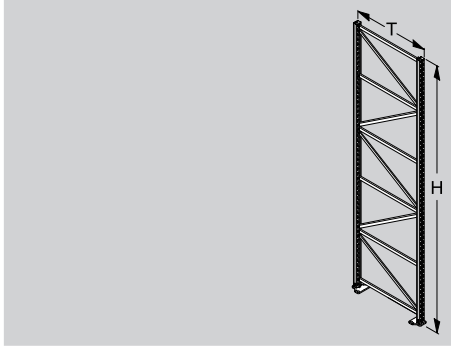
Storage Techniques



Stands

Stand for heavy load shelving, screwed type

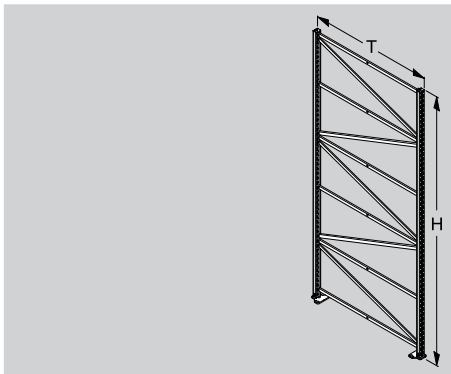
Screwed stand CG 55x40
C-profile 55x40 mm. Screws included.
Not assembled



¹⁾ for integrated single bearer for baseleg T 47
²⁾ for integrated single bearer for baseleg T 57
³⁾ for integrated single bearer for baseleg T 67

Z1336

Screwed stand CG 55x40 for bilateral integration
C-profile 55x40 mm. Screws included. Suitable for screw-on section 80x22.5 mm.
Not assembled



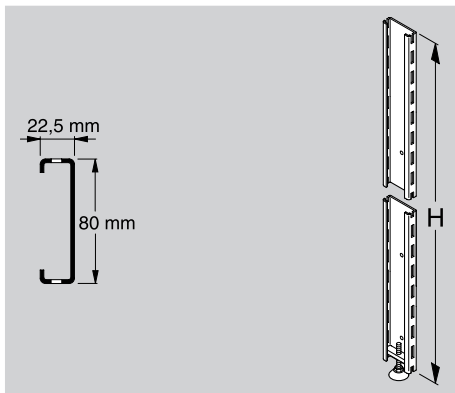
¹⁾ for integrated single bearer on both sides for baseleg T 37
²⁾ for integrated single bearer on both sides for baseleg T 47
³⁾ for integrated single bearer on both sides for baseleg T 57
⁴⁾ for integrated single bearer on both sides for baseleg T 67

Z1337

Size cm	Item No.	Finish	Standard unit price	Price per V	Quantity per V
T 60 ¹⁾ H 220	298021	1			
T 60 ¹⁾ H 260	298061	1			
T 60 ¹⁾ H 300	298101	1			
T 60 ¹⁾ H 340	298141	1			
T 70 ²⁾ H 220	298022	1			
T 70 ²⁾ H 260	298062	1			
T 70 ²⁾ H 300	298102	1			
T 70 ²⁾ H 340	298142	1			
T 80 ³⁾ H 220	298023	1			
T 80 ³⁾ H 260	298063	1			
T 80 ³⁾ H 300	298103	1			
T 80 ³⁾ H 340	298143	1			
T 95 ¹⁾ H 220	298024	1			
T 95 ¹⁾ H 260	298064	1			
T 95 ¹⁾ H 300	298104	1			
T 95 ¹⁾ H 340	298144	1			
T 115 ²⁾ H 220	298026	1			
T 115 ²⁾ H 260	298066	1			
T 115 ²⁾ H 300	298106	1			
T 115 ²⁾ H 340	298146	1			
T 135 ³⁾ H 220	298027	1			
T 135 ³⁾ H 260	298067	1			
T 135 ³⁾ H 300	298107	1			
T 135 ³⁾ H 340	298147	1			
T 155 ⁴⁾ H 220	298028	1			
T 155 ⁴⁾ H 260	298068	1			
T 155 ⁴⁾ H 300	298108	1			
T 155 ⁴⁾ H 340	298148	1			

Stands

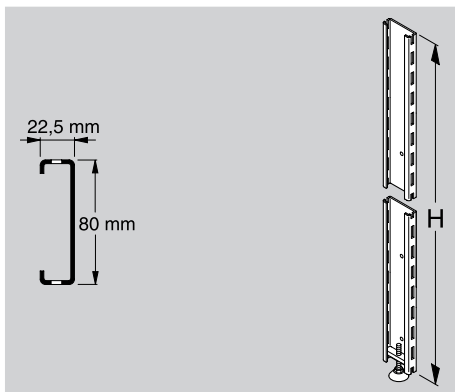
Screw-on section 80x22.5 mm
with foot disk. For screwed stand CG 55x40, for integration



- ¹⁾ suitable for stand height 220 cm
- ²⁾ suitable for stand height 260 cm
- ³⁾ suitable for stand height 300 cm
- ⁴⁾ suitable for stand height 340 cm

Z1371 / Z1111

Screw-on section 80x22.5 mm
with foot disk. For screwed stand CG 55x40, for integration



- ¹⁾ suitable for upright height 200 cm
- ²⁾ suitable for upright height 220 cm
- ³⁾ suitable for upright height 240 cm

Z1371 / Z1111

Fixing parts CG 55x40, begin
for screw-on section 80x22.5 mm. For 1 screw-on section (contains 5 screws)

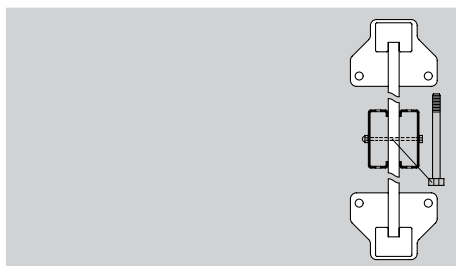


Z1585

Size cm	Item No.	Finish	Standard unit price €	Price per V €	Quantity per V
H 215 ¹⁾ H 255 ²⁾ H 295 ³⁾ H 335 ⁴⁾	290402	1			
	290406	1			
	290410	1			
	290414	1			
H 200 ¹⁾ H 220 ²⁾ H 240 ³⁾	290483	1			
	290485	1			
	290487	1			
	290430	37			

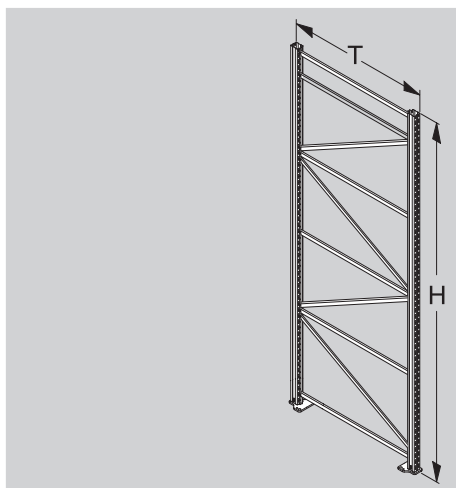
Stands

Fixing parts C 55x40, continuation
for screw-on section 80x22.5 mm. For 2 screw-on sections (contains 5 screws)



Z1586

Screwed stand CG 70x80
C-profile 70x80 mm. Screws included.
Not assembled



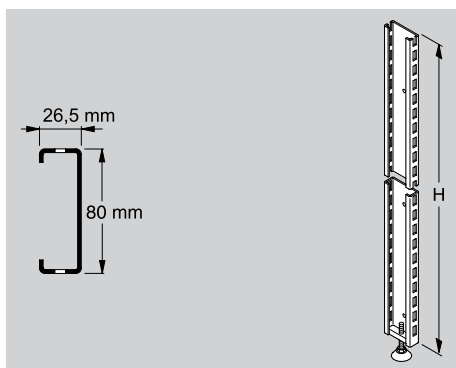
¹⁾ for integrated single bearer for baseleg T 67

²⁾ for integrated single bearer for baseleg T 87

³⁾ for integrated single bearer for baseleg T 97

Z3667

Screw-on section 80x26.5 mm
with foot disk. For screwed stand CG 70x80, for integration in front

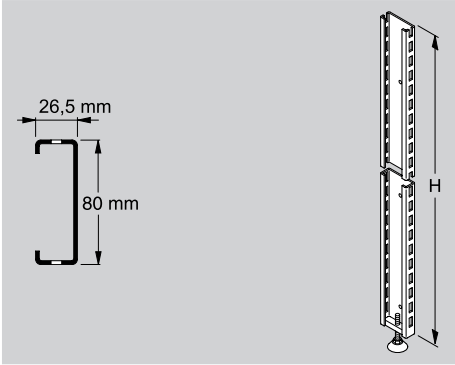
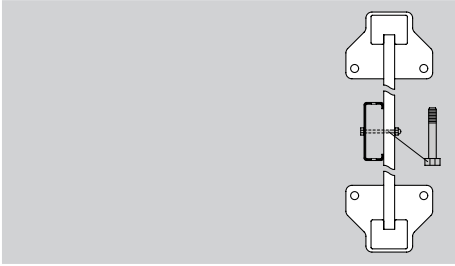
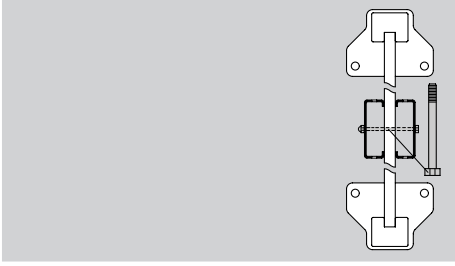


¹⁾ suitable for stand height 220 cm

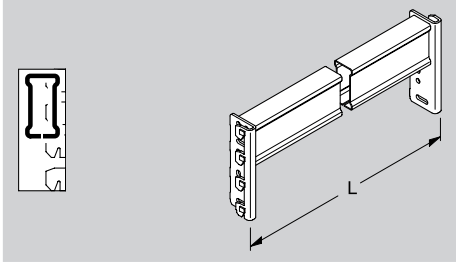
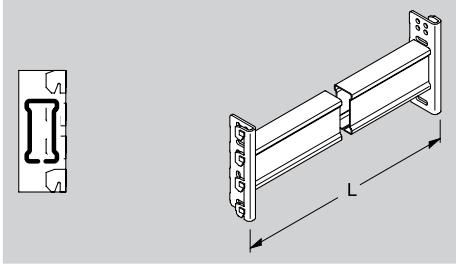
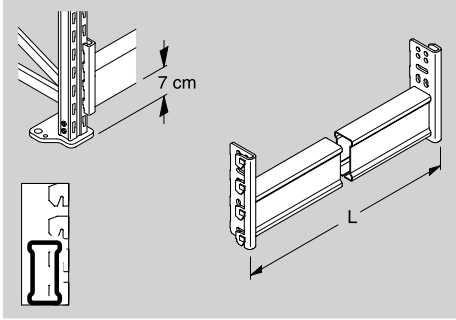
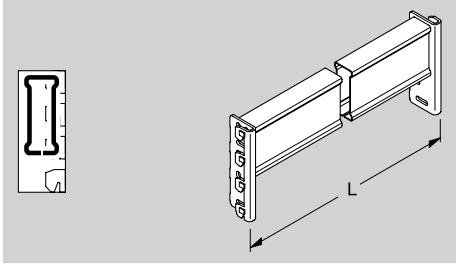
Z1372 / Z1092

	Size cm	Item No.	Finish	Standard unit price €	Price per V €	Quantity per V
		290431	37			
	T 85 ¹⁾ H 220	298206	1			
	T 85 ¹⁾ H 280	298226	1			
	T 85 ¹⁾ H 360	298253	1			
	T 85 ¹⁾ H 440	298280	1			
	T 85 ¹⁾ H 510	298303	1			
	T 105 ²⁾ H 220	298207	1			
	T 105 ²⁾ H 280	298227	1			
	T 105 ²⁾ H 360	298254	1			
	T 105 ²⁾ H 440	298281	1			
	T 105 ²⁾ H 510	298304	1			
	T 115 ³⁾ H 220	298208	1			
	T 115 ³⁾ H 280	298228	1			
	T 115 ³⁾ H 360	298255	1			
	T 115 ³⁾ H 440	298282	1			
	T 115 ³⁾ H 510	298305	1			
	H 215 ¹⁾	290422	1			

Stands

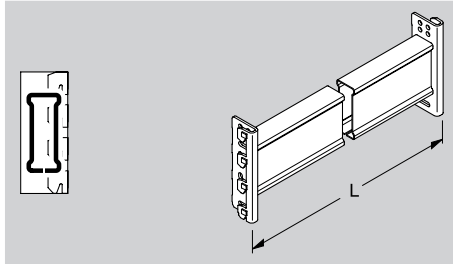
	Size cm	Item No.	Finish	Standard unit price €	Price per V €	Quantity per V
<p>Screw-on section 80x26.5 mm with foot disk. For screwed stand CG 70x80, for integration in front</p>  <p>¹⁾ suitable for upright height 200 cm ²⁾ suitable for upright height 220 cm ³⁾ suitable for upright height 240 cm</p> <p>Z1372 / Z1092</p>	<p>H 200¹⁾ H 220²⁾ H 240³⁾</p>	<p>290442 290444 290446</p>	<p>1 1 1</p>			
<p>Fixing parts CG 70x80, begin for screw-on section 80x26.5 mm. For 1 screw-on section (contains 5 screws)</p>  <p>Z1585</p>		290433	37			
<p>Fixing parts CG 70x80, continuation for screw-on section 80x26.5 mm. For 2 screw-on sections (contains 5 screws)</p>  <p>Z1586</p>		290434	37			

Traverses

		Size cm	Item No.	Finish	Standard unit price	Price per V	Quantity per V
Traverses for heavy load shelving							
<p>Traverse top ITL 80x40 Profile 80x40 mm. With lift-out preventers</p>  <p>Z1347 / Z1339</p>	L 125	293033	2				
	L 133	293035	2				
	L 200	293043	2				
	L 250	293050	2				
	L 266	293052	2				
<p>Traverse centre ITL 80x40 Profile 80x40 mm. With lift-out preventers</p>  <p>Z1346 / Z1338</p>	L 125	293003	2				
	L 133	293005	2				
	L 200	293013	2				
	L 250	293020	2				
	L 266	293022	2				
<p>Traverse bottom ITL 80x40 Profile 80x40 mm. With lift-out preventers</p>  <p>Z1419 / Z1363 / Z1362</p>	L 125	293063	2				
	L 133	293065	2				
	L 200	293073	2				
	L 250	293080	2				
	L 266	293082	2				
<p>Traverse top ITL 100x40 Profile 100x40 mm. With lift-out preventers</p>  <p>Z1349 / Z1341</p>	L 125	293123	2				
	L 133	293125	2				
	L 200	293133	2				
	L 250	293140	2				
	L 266	293142	2				

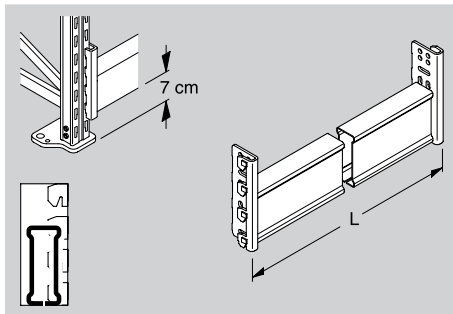
Traverses

Traverse centre ITL 100x40
Profile 100x40 mm. With lift-out preventers



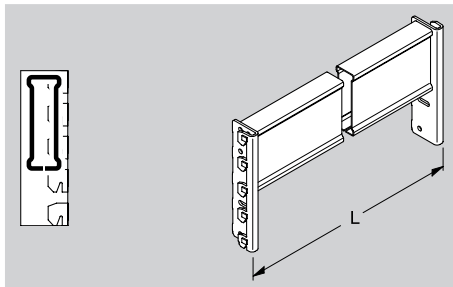
Z1348 / Z1340

Traverse bottom ITL 100x40
Profile 100x40 mm. With lift-out preventers



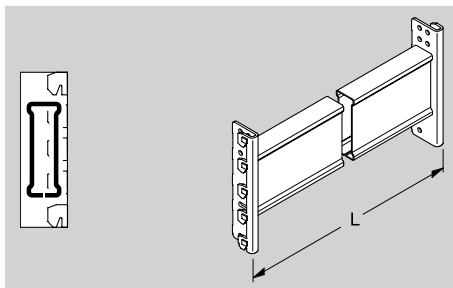
Z1419 / Z1365 / Z1364

Traverse top ITL 120x40
Profile 120x40 mm. With lift-out preventers



Z1351 / Z1343

Traverse centre ITL 120x40
Profile 120x40 mm. With lift-out preventers

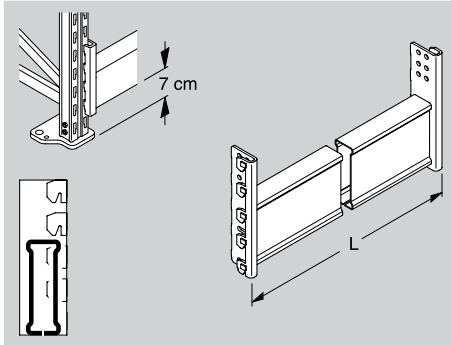


Z1350 / Z1342

Size cm	Item No.	Finish	Standard unit price €	Price per V €	Quantity per V
L 125	293093	2			
L 133	293095	2			
L 200	293103	2			
L 250	293110	2			
L 266	293112	2			
L 125	293153	2			
L 133	293155	2			
L 200	293163	2			
L 250	293170	2			
L 266	293172	2			
L 125	293213	2			
L 133	293215	2			
L 200	293223	2			
L 250	293230	2			
L 266	293232	2			
L 300	293236	2			
L 125	293183	2			
L 133	293185	2			
L 200	293193	2			
L 250	293200	2			
L 266	293202	2			
L 300	293206	2			

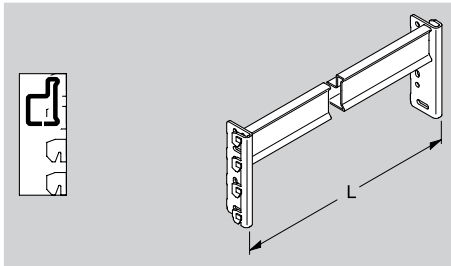
Traverses

Traverse bottom ITL 120x40
Profile 120x40 mm. With lift-out preventers



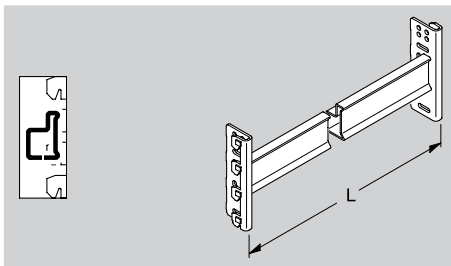
Z1419 / Z1367 / Z1366

Traverse top ARPL 60x40
ARP-Profile 60x40 mm, with lift-out preventers. For fitting fire protection shelving elements, shelving elements ARP and chipboards 22 mm



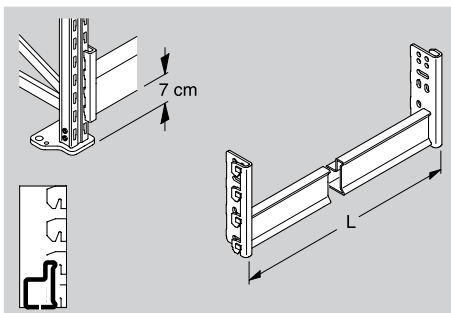
Z1790 / Z1774

Traverse centre ARPL 60x40
ARP-Profile 60x40 mm, with lift-out preventers. For fitting fire protection shelving elements, shelving elements ARP and chipboards 22 mm



Z1791 / Z1775

Traverse bottom ARPL 60x40
ARP-Profile 60x40 mm, with lift-out preventers. For fitting fire protection shelving elements, shelving elements ARP and chipboards 22 mm



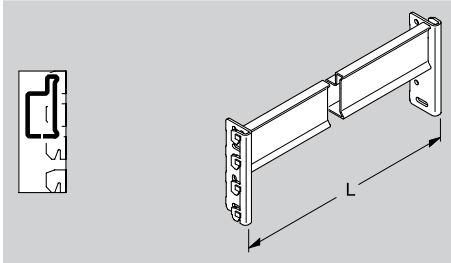
Z1419 / Z1792 / Z1776

Size cm	Item No.	Finish	Standard unit price	Price per V	Quantity per V
L 125	293243	2			
L 133	293245	2			
L 200	293253	2			
L 250	293260	2			
L 266	293262	2			
L 300	293266	2			
L 125	292064	2			
L 133	292066	2			
L 200	292073	2			
L 250	292078	2			
L 266	292080	2			
L 125	292034	2			
L 133	292036	2			
L 200	292043	2			
L 250	292048	2			
L 266	292050	2			
L 125	292004	2			
L 133	292006	2			
L 200	292013	2			
L 250	292018	2			
L 266	292020	2			

Traverses

Traverse top ARPL 80x40

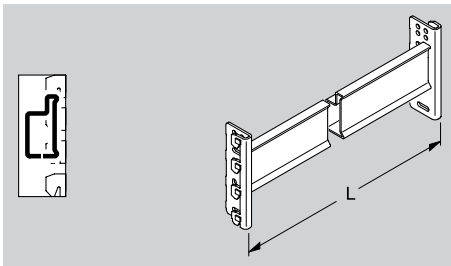
ARP-Profile 80x40 mm, with lift-out preventers. For fitting fire protection shelving elements, shelving elements ARP and chipboards 22 mm



Z1793 / Z1777

Traverse centre ARPL 80x40

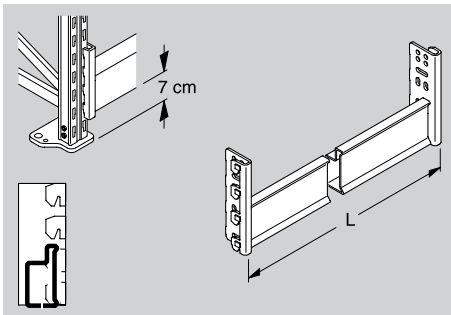
ARP-Profile 80x40 mm, with lift-out preventers. For fitting fire protection shelving elements, shelving elements ARP and chipboards 22 mm



Z1794 / Z1778

Traverse bottom ARPL 80x40

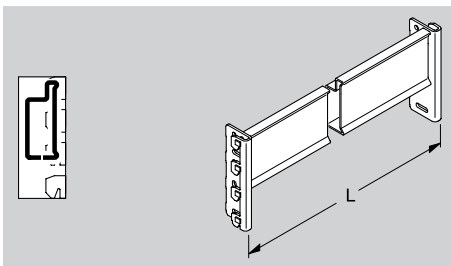
ARP-Profile 80x40 mm, with lift-out preventers. For fitting fire protection shelving elements, shelving elements ARP and chipboards 22 mm



Z1419 / Z1795 / Z1779

Traverse top ARPL 100x40

ARP-Profile 100x40 mm, with lift-out preventers. For fitting fire protection shelving elements, shelving elements ARP and chipboards 22 mm



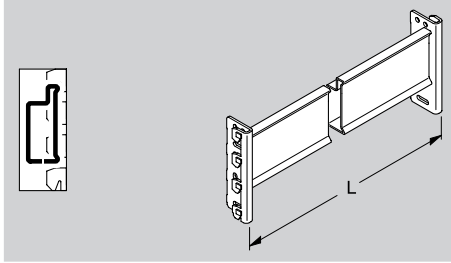
Z1796 / Z1780

Size cm	Item No.	Finish	Standard unit price €	Price per V €	Quantity per V
L 125	292154	2			
L 133	292156	2			
L 200	292163	2			
L 250	292168	2			
L 266	292170	2			
L 125	292124	2			
L 133	292126	2			
L 200	292133	2			
L 250	292138	2			
L 266	292140	2			
L 125	292094	2			
L 133	292096	2			
L 200	292103	2			
L 250	292108	2			
L 266	292110	2			
L 125	292244	2			
L 133	292246	2			
L 200	292253	2			
L 250	292258	2			
L 266	292260	2			

Traverses

Traverse centre ARPL 100x40

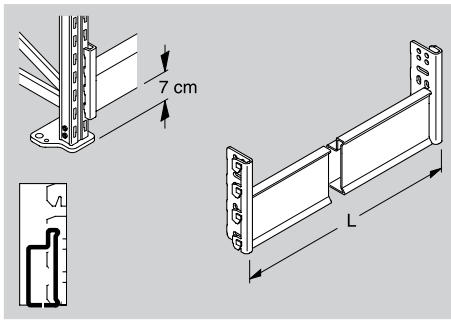
ARP-Profile 100x40 mm, with lift-out preventers. For fitting fire protection shelving elements, shelving elements ARP and chipboards 22 mm



Z1797 / Z1781

Traverse bottom ARPL 100x40

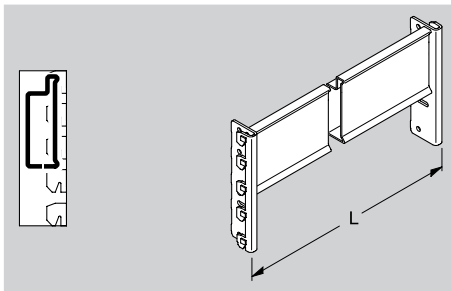
ARP-Profile 100x40 mm, with lift-out preventers. For fitting fire protection shelving elements, shelving elements ARP and chipboards 22 mm



Z1419 / Z1798 / Z1782

Traverse top ARPL 120x40

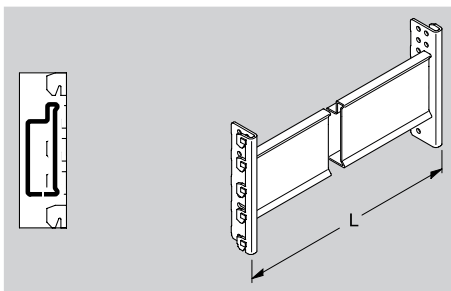
ARP-Profile 120x40 mm, with lift-out preventers. For fitting fire protection shelving elements, shelving elements ARP and chipboards 22 mm



Z1799 / Z1783

Traverse centre ARPL 120x40

ARP-Profile 120x40 mm, with lift-out preventers. For fitting fire protection shelving elements, shelving elements ARP and chipboards 22 mm



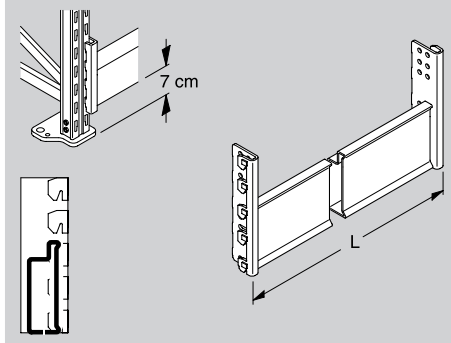
Z1800 / Z1784

	Size cm	Item No.	Finish	Standard unit price €	Price per V €	Quantity per V
Traverse centre ARPL 100x40 ARP-Profile 100x40 mm, with lift-out preventers. For fitting fire protection shelving elements, shelving elements ARP and chipboards 22 mm	L 125	292214	2			
	L 133	292216	2			
	L 200	292223	2			
	L 250	292228	2			
	L 266	292230	2			
Traverse bottom ARPL 100x40 ARP-Profile 100x40 mm, with lift-out preventers. For fitting fire protection shelving elements, shelving elements ARP and chipboards 22 mm	L 125	292184	2			
	L 133	292186	2			
	L 200	292193	2			
	L 250	292198	2			
	L 266	292200	2			
Traverse top ARPL 120x40 ARP-Profile 120x40 mm, with lift-out preventers. For fitting fire protection shelving elements, shelving elements ARP and chipboards 22 mm	L 125	292334	2			
	L 133	292336	2			
	L 200	292343	2			
	L 250	292348	2			
	L 266	292350	2			
Traverse centre ARPL 120x40 ARP-Profile 120x40 mm, with lift-out preventers. For fitting fire protection shelving elements, shelving elements ARP and chipboards 22 mm	L 125	292304	2			
	L 133	292306	2			
	L 200	292313	2			
	L 250	292318	2			
	L 266	292320	2			

Traverses

Traverse bottom ARPL 120x40

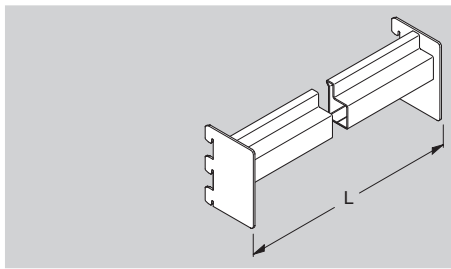
ARP-Profile 120x40 mm, with lift-out preventers. For fitting fire protection shelving elements, shelving elements ARP and chipboards 22 mm



Z1419 / Z1801 / Z1785

Traverse centre / top ARPL 60x40 T6

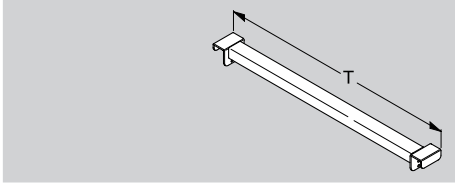
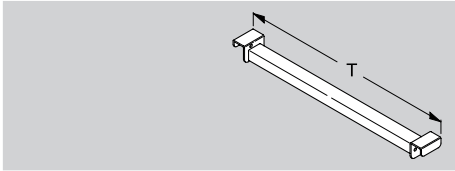
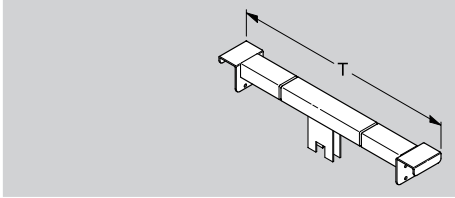
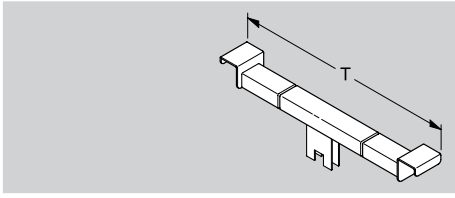
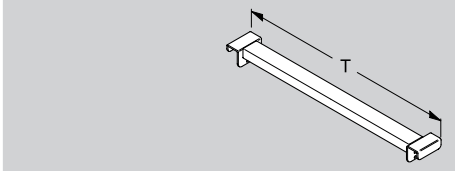
ARP-Profile 60x40 mm, with lift-out preventers. For fitting fire protection shelving elements, shelving elements ARP and chipboards 22 mm



Z3671

Size cm	Item No.	Finish	Standard unit price €	Price per V €	Quantity per V
L 125	292274	2			
L 133	292276	2			
L 200	292283	2			
L 250	292288	2			
L 266	292290	2			
L 125	292362	2			
L 133	292363	2			
L 200	292365	2			
L 250	292368	2			
L 266	292369	2			

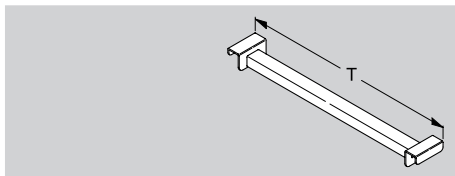
Depth Connectors and Shelving Elements

	Size cm	Item No.	Finish	Standard unit price €	Price per V €	Quantity per V
Depth connectors						
Depth connector for system CG 55x40 (C 50x40). Adm. load per depth connector = 500 kg, valid up to depth T 115	T 60 T 70 T 80 T 95 T 115 T 135 T 155	207102 207104 207106 207110 207112 207114 207116	2 2 2 2 2 2 2			
						
Z0613						
Depth connector recessed for system CG 55x40 (C 50x40) for chipboard 19 mm thick. Adm. load per depth connector = 500 kg, valid up to depth T 115	T 60 T 70 T 80 T 95 T 115 T 135 T 155	207122 207124 207126 207130 207132 207134 207136	2 2 2 2 2 2 2			
						
Z0612						
Depth connector with plug-in piece for system C 55x40 (C 50x40). Suitable for upright 80x30 mm	T 115 T 135 T 155	297700 297702 297704	2 2 2			
						
Z0926						
Depth connector recessed with plug-in piece for system C 55x40 (C 50x40). Suitable for upright 80x30 mm. Recessed for chipboard 19 mm	T 115 T 135 T 155	297706 297708 297709	2 2 2			
						
Z0960						
Depth connector for system C / CG 70x80 and C 100x55. Adm. load per depth connector = 500 kg, valid up to depth T 115	T 85 T 105 T 115	203310 203314 203316	2 2 2			
						
Z0644						

Depth Connectors and Shelving Elements

Depth connector recessed

for system C / CG 70x80 and C 100x55 for chipboard 22 mm thick.
Adm. load per depth connector = 500 kg, valid up to depth T 115



Z0645

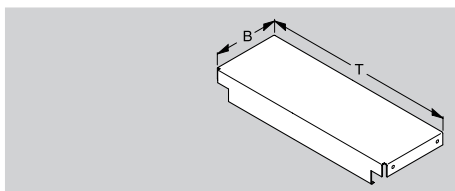
Size cm	Item No.	Finish	Standard unit price €	Price per V €	Quantity per V
T 85	203330	2			
T 105	203334	2			
T 115	203336	2			

Shelving elements

Shelving elements ARP

for system CG 55x40 (C 50x40). Sheet steel, for insertion in traverse ARP. (To fit upon traverse ARP 60x40, 80x40, 100x40, 120x40)

51 = zinc galvanized



- ¹⁾ T 53 for stand depth 60
- ²⁾ T 63 for stand depth 70
- ³⁾ T 73 for stand depth 80
- ⁴⁾ T 90 for stand depth 95
- ⁵⁾ T 110 for stand depth 115
- ⁶⁾ T 130 for stand depth 135
- ⁷⁾ T 150 for stand depth 155

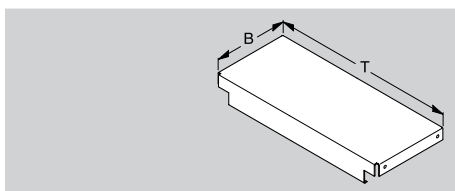
Z1786

T 53 ¹⁾	B 18.7	207000	2		
T 63 ²⁾	B 18.7	207001	2		
T 73 ³⁾	B 18.7	207002	2		
T 90 ⁴⁾	B 18.7	207003	2		
T 110 ⁵⁾	B 18.7	207004	2		
T 130 ⁶⁾	B 18.7	207005	2		
T 150 ⁷⁾	B 18.7	207006	2		
T 53 ¹⁾	B 22.6	207010	2		
T 63 ²⁾	B 22.6	207011	2		
T 73 ³⁾	B 22.6	207012	2		
T 90 ⁴⁾	B 22.6	207013	2		
T 110 ⁵⁾	B 22.6	207014	2		
T 130 ⁶⁾	B 22.6	207015	2		
T 150 ⁷⁾	B 22.6	207016	2		
T 53 ¹⁾	B 18.7	207000	51		
T 63 ²⁾	B 18.7	207001	51		
T 73 ³⁾	B 18.7	207002	51		
T 90 ⁴⁾	B 18.7	207003	51		
T 110 ⁵⁾	B 18.7	207004	51		
T 130 ⁶⁾	B 18.7	207005	51		
T 150 ⁷⁾	B 18.7	207006	51		
T 53 ¹⁾	B 22.6	207010	51		
T 63 ²⁾	B 22.6	207011	51		
T 73 ³⁾	B 22.6	207012	51		
T 90 ⁴⁾	B 22.6	207013	51		
T 110 ⁵⁾	B 22.6	207014	51		
T 130 ⁶⁾	B 22.6	207015	51		
T 150 ⁷⁾	B 22.6	207016	51		

Shelving elements ARP

for system C / CG 70x80 (C 100x55). Sheet steel, for insertion in traverse ARP. (To fit upon traverse ARP 60x40, 80x40, 100x40, 120x40)

51 = zinc galvanized



- ¹⁾ T 82 for stand depth 85
- ²⁾ T 102 for stand depth 105
- ³⁾ T 112 for stand depth 115

Z1787

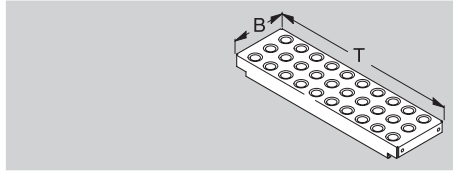
T 82 ¹⁾	B 18.7	207020	2		
T 102 ²⁾	B 18.7	207021	2		
T 112 ³⁾	B 18.7	207022	2		
T 82 ¹⁾	B 22.6	207025	2		
T 102 ²⁾	B 22.6	207026	2		
T 112 ³⁾	B 22.6	207027	2		
T 82 ¹⁾	B 18.7	207020	51		
T 102 ²⁾	B 18.7	207021	51		
T 112 ³⁾	B 18.7	207022	51		
T 82 ¹⁾	B 22.6	207025	51		
T 102 ²⁾	B 22.6	207026	51		
T 112 ³⁾	B 22.6	207027	51		

Depth Connectors and Shelving Elements

Fire protection shelving element ARP

for system CG 55x40 (C 50x40). Steel shelf galvanized, perforated. For insertion in traverse ARP. (To fit upon traverse ARP 60x40, 80x40, 100x40, 120x40)

51 = zinc galvanized



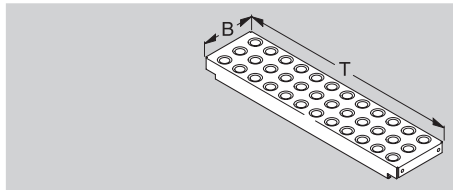
- ¹⁾ T 53 for stand depth 60
- ²⁾ T 63 for stand depth 70
- ³⁾ T 73 for stand depth 80
- ⁴⁾ T 90 for stand depth 95
- ⁵⁾ T 110 for stand depth 115
- ⁶⁾ T 130 for stand depth 135

Z3668

Fire protection shelving element ARP

for systems C / CG 70x80 (C 100x55). Steel shelf galvanized, perforated. For insertion in traverse ARP. (To fit upon traverse ARP 60x40, 80x40, 100x40, 120x40)

51 = zinc galvanized

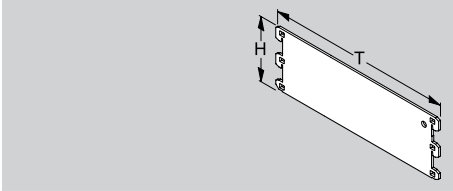
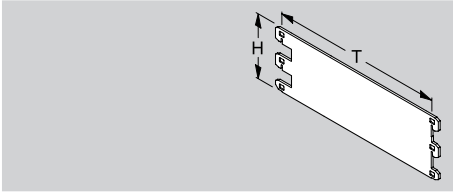
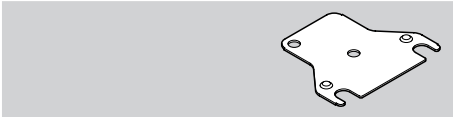

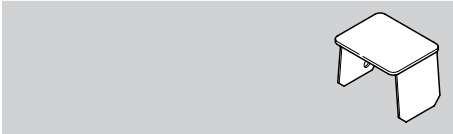



- ¹⁾ T 82 for stand depth 85
- ²⁾ T 102 for stand depth 105
- ³⁾ T 112 for stand depth 115

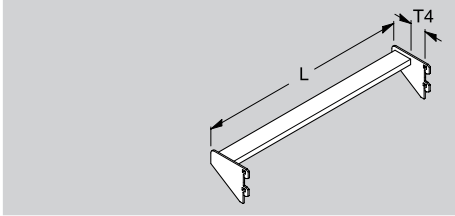

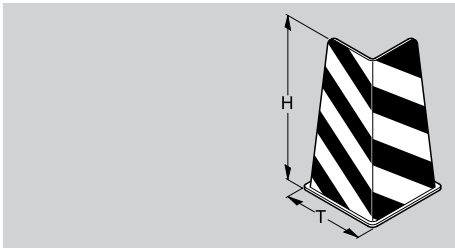
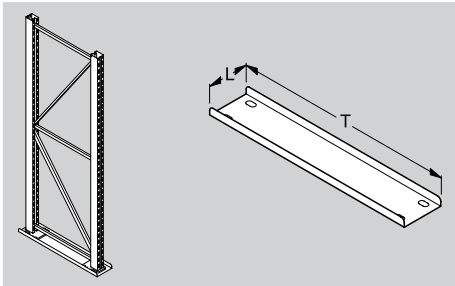
Z3668

	Size cm		Item No.	Finish	Standard unit price	Price per V	Quantity per V	
					€	€		
Fire protection shelving element ARP for system CG 55x40 (C 50x40). Steel shelf galvanized, perforated. For insertion in traverse ARP. (To fit upon traverse ARP 60x40, 80x40, 100x40, 120x40) 51 = zinc galvanized ¹⁾ T 53 for stand depth 60 ²⁾ T 63 for stand depth 70 ³⁾ T 73 for stand depth 80 ⁴⁾ T 90 for stand depth 95 ⁵⁾ T 110 for stand depth 115 ⁶⁾ T 130 for stand depth 135 Z3668	T 53 ¹⁾	B 18.7	207030	51				
	T 63 ²⁾	B 18.7	207031	51				
	T 73 ³⁾	B 18.7	207032	51				
	T 90 ⁴⁾	B 18.7	207033	51				
	T 110 ⁵⁾	B 18.7	207034	51				
	T 130 ⁶⁾	B 18.7	207035	51				
	T 53 ¹⁾	B 22.6	207040	51				
	T 63 ²⁾	B 22.6	207041	51				
	T 73 ³⁾	B 22.6	207042	51				
	T 90 ⁴⁾	B 22.6	207043	51				
	T 110 ⁵⁾	B 22.6	207044	51				
	T 130 ⁶⁾	B 22.6	207045	51				
	Fire protection shelving element ARP for systems C / CG 70x80 (C 100x55). Steel shelf galvanized, perforated. For insertion in traverse ARP. (To fit upon traverse ARP 60x40, 80x40, 100x40, 120x40) 51 = zinc galvanized ¹⁾ T 82 for stand depth 85 ²⁾ T 102 for stand depth 105 ³⁾ T 112 for stand depth 115 Z3668	T 82 ¹⁾	B 18.7	207050	51			
		T 102 ²⁾	B 18.7	207051	51			
		T 112 ³⁾	B 18.7	207052	51			
T 82 ¹⁾		B 22.6	207055	51				
T 102 ²⁾		B 22.6	207056	51				
T 112 ³⁾		B 22.6	207057	51				

Accessories and Safeguard Parts

		Size cm	Item No.	Finish	Standard unit price €	Price per V €	Quantity per V
Accessories for heavy load shelving							
Spacer bracket for heavy load shelving, with lift-out preventers 	T 10	H 12	201550	1			
	T 15	H 12	201552	1			
	T 20	H 12	201554	1			
	T 30	H 12	201558	1			
	T 40	H 12	201562	1			
	20650						
Spacer bracket, recessed for heavy load shelving, with lift-out preventers. For subsequent detachment and suspension 	T 10	H 12	201510	1			
	T 15	H 12	201512	1			
	T 20	H 12	201514	1			
	T 30	H 12	201516	1			
	T 40	H 12	201518	1			
	20651						
Sheet metal underlay for stand C 50x40 and CG 55x40, for compensation of floor unevenness 	H 0.15		206410	51			
	H 0.2		206412	51			
	H 0.6		206414	88			
20917							
Sheet metal underlay for stand C / CG 70x80, for compensation of floor unevenness 	H 0.15		200250	51			
	H 0.2		200252	51			
	H 0.6		200254	88			
20917							
Top cap for CG 55x40 Sheet steel 			293400	1			
20932							
Top cap for C 70x80 and CG 70x80 Sheet steel 			201889	1			
20957							

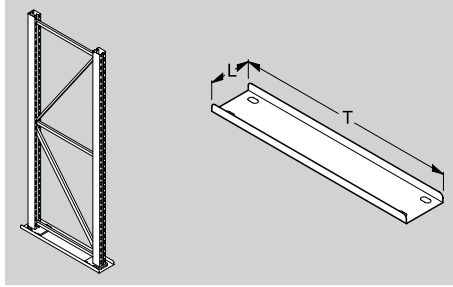
Accessories and Safeguard Parts

	Size cm	Item No.	Finish	Standard unit price €	Price per V €	Quantity per V
Safeguard accessories for heavy load shelving						
Push-through guard T 4 for heavy load shelving. Profile 50x20 	L 125 L 133 L 200 L 250 L 266	204404 204406 204413 204418 204420	2 2 2 2 2			
Bumper for insertion in stand C 70x80 and CG 70x80 	B 10 H 50	201774	1			
Bumper (corner) for fastening on the floor for heavy-load shelving stands (yellow / black) 	T 18 H 38 T 18 H 60	201530 201540	35 35			
Rigid fixation accessories for bumper (corner)		201532	37			
Flexible fixation accessories For collision guard (corner), transmits extremely high collision loads (fork lift truck traffic) safely to the floor		201534	37			
Load distribution shoe CG 55x40 Sheet steel, to reduce the specific floor load on soft floors for stand CG 55x40 and C 50x40 	L 15 T 60 L 15 T 70 L 15 T 80 L 15 T 95 L 15 T 115	206682 206684 206686 206690 206692	41 41 41 41 41			

Accessories and Safeguard Parts

Load distribution shoe C 70x80, CG 70x80

Sheet steel, to reduce the specific floor load on soft floors for stand C 70x80 and CG 70x80



Z0666 / Z0665

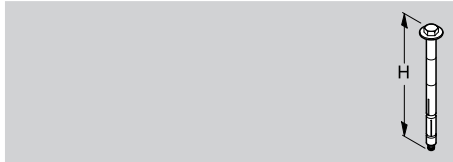
Size cm	Item No.	Finish	Standard unit price €	Price per V €	Quantity per V
---------	----------	--------	--------------------------	------------------	----------------

L 16 T 85	201542	41			
L 16 T 105	201546	41			
L 16 T 115	201548	41			

Straddling bolt

for system CG 55x40 and C 50x40.

When using straddling bolts, always observe the building supervisory regulations.



Z0667

H 7.5 Ø M 8	200106	37			
-------------	---------------	----	--	--	--

Straddling bolt

for supporting rail for oblique stands C 50x40.

When using straddling bolts, always observe the building supervisory regulations.



Z0668

H 19.5 Ø M 8	200115	37			
--------------	---------------	----	--	--	--

Straddling bolt

for system CG from size 70x80

When using straddling bolts, always observe the building supervisory regulations.



Z0669

H 12.7 Ø M 10	200102	37			
---------------	---------------	----	--	--	--

Anchor bolt

for system CG from size 70x80 and larger, for storing panels, etc. in inclined position, and for oblique stand C 70x80.

When using anchor bolts, always observe the building supervisory regulations.

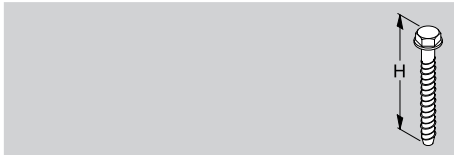


Z0670


H 16.5 Ø M 12	200100	37			
---------------	---------------	----	--	--	--

Accessories and Safeguard Parts

Screw anchor
for system CG 70x80
When using screw anchors, always observe the building supervisory regulations.



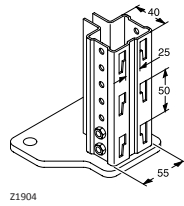
21837

	Size cm		Item No.	Finish		Standard unit price ₹	Price per V ₹	Quantity per V
<p>Screw anchor for system CG 70x80 When using screw anchors, always observe the building supervisory regulations.</p> 	H	10	200095	37				

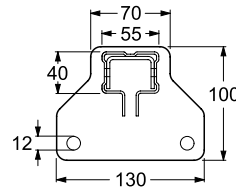
Technical Information Storage Systems

System sizes system CG 55x40

Upright cross-section and foot plate
(all figures in mm)



Z1904

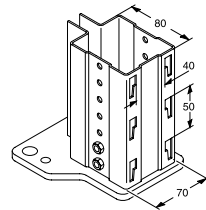


Z1356

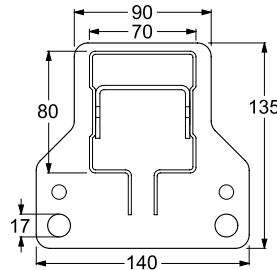
Stand depth (T) CG 55x40	
T 60	567 mm
T 70	667 mm
T 80	767 mm
T 95	934 mm
T 115	1134 mm
T 135	1334 mm
T 155	1534 mm

System sizes system CG 70x80

Upright cross-section and foot plate
(all figures in mm)



Z1905



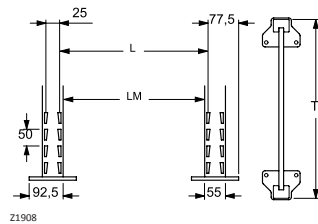
Z1359

Stand depth (T) CG 70x80	
T 85	857 mm
T 105	1057 mm
T 115	1157 mm

Stand sizes

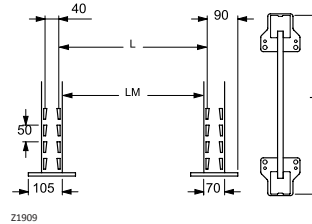
L: Axis spacing
LM: Clearance
T: Stand depth

System CG 55x40



Z1908

System CG 70x80

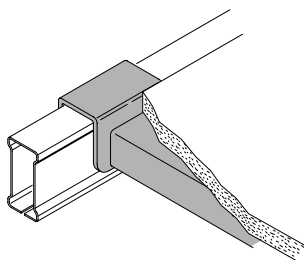


Z1909

Stand sizes	
Axis spacing L in cm	Clearance LM in cm
L 125	122.0
L 133	130.3
L 200	197.0
L 250	247.0
L 266	263.6
L 300	297.0

Chipboard sizes (depth connectors, recessed)

when using recessed depth connectors in conjunction with 4 cm wide tie-bars



Z1924

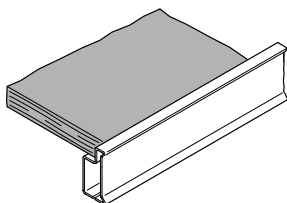
Chipboard length (Depth connectors, recessed) System CG 55x40 and System CG 70x80	
Axis spacing in cm	Chipboard length in cm
L 125	122.0
L 133	130.3
L 200	197.0
L 250	247.0
L 266	263.6
L 300	297.0

Chipboard width (Depth connectors, recessed) System CG 55x40	
Shelving depth T in cm	Chipboard width in cm
T 60	47
T 70	57
T 80	67
T 95	84
T 115	104
T 135	124
T 155	144

Chipboard width (Depth connectors, recessed) System CG 70x80	
Shelving depth T in cm	Chipboard width in cm
T 85	76
T 105	96
T 115	106

Chipboard sizes (traverse ARPL)

when using traverses ARPL



Z2193

Chipboard length (traverse ARPL) System CG 55x40 and System CG 70x80	
Axis spacing in cm	Chipboard length in cm
L 125	120.0
L 133	128.5
L 200	195.0
L 250	245.0
L 266	261.5
L 300	295.0

Chipboard width (traverse ARPL) System CG 55x40	
Shelving depth T in cm	Chipboard width in cm
T 60	53.3
T 70	63.3
T 80	73.3
T 95	90.0
T 115	110.0
T 135	130.0
T 155	150.0

Chipboard width (traverse ARPL) System CG 70x80	
Shelving depth T in cm	Chipboard width in cm
T 85	82.3
T 105	102.3
T 115	112.3



Number of elements and load capacity for ARP shelving elements and ARP fire protection shelving elements in conjunction with traverses ARPL 60x40, 80x40, 100x40 and 120x40

Shelving elements in steel are available in widths 18.7 cm and 22.6 cm. When fitting shelving compartments with these shelves we recommend using the following combinations:

Number of shelves		
Axis spacing in cm	Shelf width 18.7 cm No. of shelves	Shelf width 22.6 cm No. of shelves
L 125	4	2
L 133	2	4
L 200	8	2
L 250	1	10
L 266	14	0
L 300	0	13

Load capacity per shelving element (up to max. T 115): **350 kg**
 Load capacity per fire protection shelving element (up to max. T 105): **60 kg**

Composition of item numbers

Example:
 Screw anchor H10, zinc plated = 200095 37

200095 37 = Item group
 200095 37 = Item basic number
 200095 37 = Finish code

Note:
 If the order value is less than € 375. –, we add a surcharge equal to 10% of the order value.

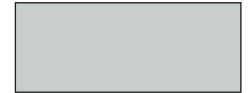
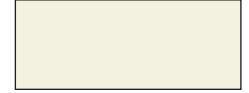
Colour and finish code

Standard colour group code

- 1 Standard colours 24, 66, 71, 88
- 2 Standard colours 24, 66, 88

Colour code standard colours

- 24 jura white, similar to RAL 9001
- 66 light grey, RAL 7035
- 71 slate grey, RAL 7015
- 88 white aluminium, RAL 9006



The colour samples show only the colour shade, not the quality of the surface of the respective product!
 Slight colour differences are possible for technical reasons. These are not deemed to be defects. Our previous colour charts are hereby invalid.

Finish code

- 35 special colour
- 37 galvanized
- 41 hot dip galvanized
- 51 sendzimir galvanized
- 88 white aluminium, RAL 9006

Special colours are available on request.

Special colours

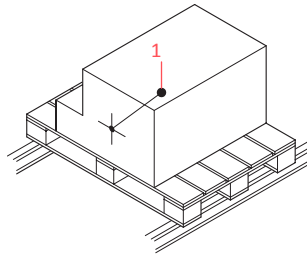
For each special colour there will be a surcharge of € 133.–.

Permissible Loads

Conditions Traverses

- Specified bay loads presuppose an evenly distributed load over the entire pair of traverses or shelf.
- The maximum permissible central deflection is max. $L / 200$ of the traverse length.
- The specified bay load applies only in conjunction with our heavy-load shelving.
- Traverses ITL and ARPL must not be loaded to torsion (see figures).

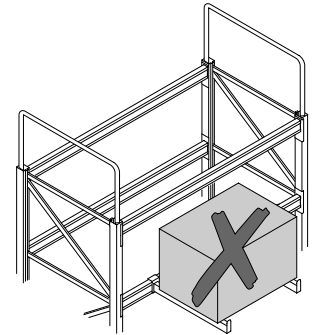
Right



1 Load centre

Z3654

Wrong



Z2355

Conditions Stands

- The shelving must not be subjected to loads under impact.
- The specified permissible loads are valid with at least four shelving bays per row.
- For sufficient longitudinal stability, at least 2 pairs of traverses must be suspended per shelving bay.
- Shelving must be set up on concrete floors with sufficient dimensions (minimum concrete quality C20/25 in accordance with DIN 1045 (8.08)).
- Floor evenness, irrespective of whether finished or unfinished, must comply with DIN 18202, part 5.
- Shelving stands must be permanently doweled to the concrete floor.
- For system CG 55x40 2 straddling bolts M 8 per stand foot disc.
- For system CG 70x80 1 straddling bolt M 10 per stand foot disc.
- When planning and installing heavy-load shelving, always observe and adhere to the information provided in the BGR 234 and our instructions for installation and use. Please apply for instructions for installation and use.
- Assembly and installation may only be performed by authorized installation personnel.
- If no load information is available or special load requirements exist, please contact our technical department.
- When determining permissible load values for the shelving bay, base your calculation on the greatest bay height in each case.
- In the case of shelving with less than four shelving bays, the bay load must be reduced using the following formula:
 Bay load for 3 bays = $0.88 \times$ bay load for 4 bays
 Bay load for 2 bays = $0.77 \times$ bay load for 4 bays
 Bay load for 1 bay = $0.66 \times$ bay load for 4 bays

Permissible load per pair of traverses in kg, system CG 55x40 and system CG 70x80

Permissible load per pair of traverses in kg, system CG 55x40 and system CG 70x80								
Traverse with weld-on position above and below								
Axis spacing in cm	ARPL 60x40	ARPL 80x40	ARPL 100x40	ARPL 120x40	ITL 80x4	ITL 100x40	ITL 120x40	ITL 130x40
L 125	800	2100	2500	3100	2100	2900	4500	4500
L 133	800	2100	2500	3100	2100	2900	4500	4500
L 200	480	1300	1700	3100	1200	1900	3100	4500
L 250	340	950	1400	2100	800	1500	2100	3600
L 266	300	850	1200	1900	700	1300	1900	3100
L 300	260	700	1000	1500	600	1100	1600	2600

Permissible load per pair of traverses in kg, system CG 55x40 and system CG 70x80								
Traverse with weld-on central position								
Axis spacing in cm	ARPL 60x40	ARPL 80x40	ARPL 100x40	ARPL 120x40	ITL 80x40	ITL 100x40	ITL 120x40	ITL 130x40
L 125	1000	2100	2500	3400	2100	2900	4500	4500
L 133	1000	2100	2500	3400	2100	2900	4500	4500
L 200	800	1400	1800	3000	1400	1900	3500	4500
L 250	550	1070	1500	2500	1200	1600	2600	3600
L 266	460	950	1350	2150	1100	1500	2300	3200
L 300	400	750	1120	1800	900	1200	1900	2600

Permissible bay load for heavy-load shelving systems CG 55x40 and CG 70x80 without SB integration

Valid up to a shelving depth of
T = 155 cm (system CG 55x40) and
T = 115 cm (system CG 70x80)

Permissible bay load in kg		
Compartment height f	System CG 55x40 in combination with traverses ITL 80x40, ITL 100x40, ARPL 80x40 and ARPL 100x40	System CG 70x80 in combination with traverses TL 120x40, ITL 130x40 and ARPL 120x40
	75 cm	5200
100 cm	4060	14200
125 cm	2980	12000
150 cm	1980	9800
175 cm	1880	8200
200 cm	1720	7000
225 cm	—	6000
250 cm	—	5000

Permissible bay load for heavy-load shelving system CG 70x80 with SB integration

Do not use plug-on parts for central upright of SB integration (see figure).
Permissible bay load up to a shelving depth of T 115.

Permissible bay load in kg			
System CG 70x80 with SB integration in combination with traverses ITL 120x40, ITL 130x40 and ARPL 120x40			
Compartment height f over lowest pair of traverses	Integration height		
	h = 220 cm	h = 240 cm	h = 260 cm
up to 75 cm	8500	7000	6200
100 cm	8000	6800	6000
125 cm	7500	6500	5700
150 cm	7200	6400	5600
175 cm	6900	6200	5400
200 cm	6700	6000	5300
225 cm	6500	5900	5200
250 cm	6400	5800	5100

Permissible load per depth connector

Permissible load per depth connector	
Stand depth	
up to T = 115 cm	500 kg
T = 135 cm	400 kg
T = 155 cm	350 kg

Permissible load per shelving element ARP

Applicable in conjunction with traverse ARPL 60x40, 80x40, 100x40, 120x40 and with max. depth 115 cm; **350 kg** per shelving element ARP.

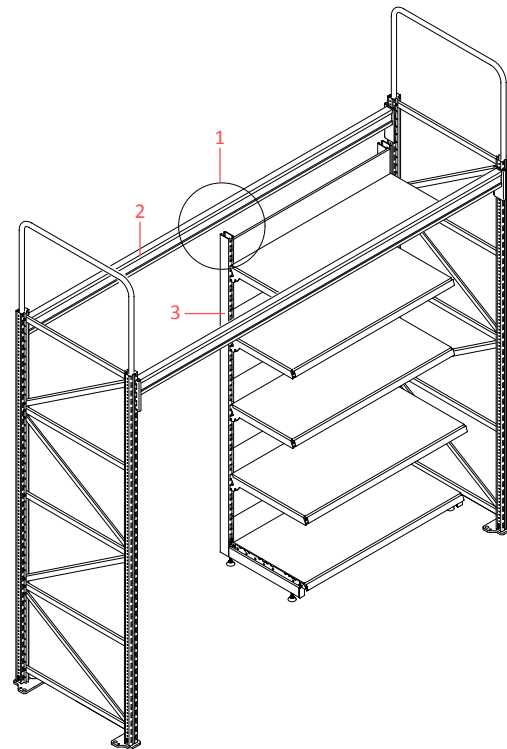
Permissible load per fire protection shelving element ARP

Applicable in conjunction with traverse ARPL 60x40, 80x40, 100x40, 120x40 and with max. depth 105 cm; **60 kg** per fire protection shelving element ARP.

Permissible bay load for heavy-load shelving system CG 55x40 with SB integration

Permissible bay load up to a shelving depth of T 115.
Applicable in combination with traverse type ITL 80x40, ITL 100x40, ARPL 80x40 and ARPL 100x40.
Do not use plug-on parts for central upright of SB integration (see figure below)

Permissible bay load in kg			
System CG 55x40 in combination with traverses ITL 80x40, ITL 100x40, ARPL 80x40 and ARPL 100x40			
Compartment height f over lowest pair of traverses	Integration height		
	h = 200 cm	h = 220 cm	h = 240 cm
max. up to 160 cm	1220	960	810



Z 1946

- 1 There must not be any connection between the stand of the SB integration and the traverse above it.
- 2 Traverse of the heavy-load shelving
- 3 Stand of the SB integration



... is an innovative **coating process** for metal surfaces, with which they can be given a wood, stone or metal look finish.

Even your **own motifs**, whether colour photos, your logo, a graphic design of your own, lettering, etc., can be printed with photo quality on the back panels or shelves of our shelving systems.

DecoCoat ...

... enables extremely **flexible shopfitting**. Seasonal product accompaniment is possible without major financial expense or time – simply replace the back panels with a winter landscape with back panels with pictures of spring – ready.

... is suitable for **all industries** and offers **optimum value for money**. Cost-effective printing of the back panels and shelves, precisely as you want them.

... assists the development of **brand awareness** at the point of sale and, therefore, supports **image-building**, i.e. consistent implementation of CI specifications right through to POS shelving.

... enables clear **differentiation from cheap imports**. The quality standard of the presented goods is clearly emphasized.

... allows universal **design options** in shopfitting and everything can be implemented in a **single shopfitting system**, i.e. as part of the overall planning, you obtain everything you need from a **single source**: shelving – advertising – decoration – CI.

... Formats up to **200x80** cm can be printed.

... arouses **emotions** – no anonymity in the shop. DecoCoat guarantees **relevance – topicality – attention – sentimental value – recognition**.

... enables clear **differentiation** from competitors.

... its outstanding features are **top quality** and **durability** as well as optimum **value for money**. No plastic films or sheeting are used. DecoCoat shelving systems are **food safe** and are therefore suitable for all industries. They can be disposed of in the usual waste systems, and do not require any hazardous or toxic waste measures.





Tegometall

The Original for 50 years

Tegometall International Sales GmbH
Industriestraße 7
CH - 8574 Lengwil-Oberhofen

Telephone +41 (0) 71 686 93 00
Fax +41 (0) 71 686 93 78

info@tegometall.com
www.tegometall.com